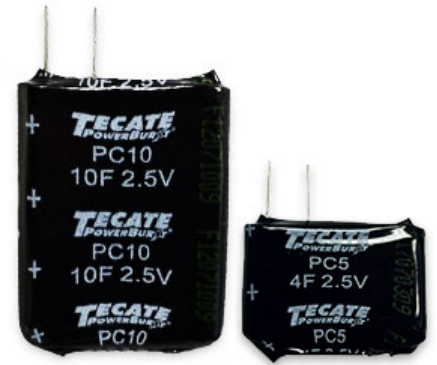


FEATURES

- Replaces the Maxwell PC5 & PC10 and suitable for new designs
- 10-year life capability
- Enhanced seal, stainless steel construction
- Low-profile prismatic design
- Higher energy vs. electrolytic
- Higher power vs. batteries
- RoHS compliant



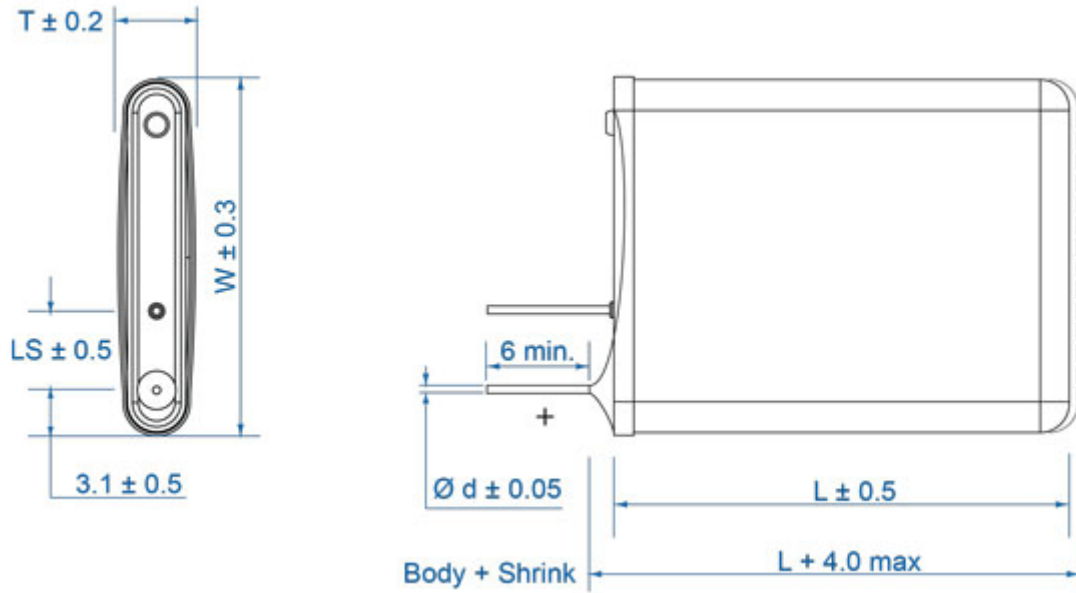
APPLICATIONS

- Automatic meter readers (AMR)
- Backup power for last gasp and soft shutdown
- Wireless transmissions
- Handheld devices: commercial and military

GENERAL SPECIFICATIONS

Item	Performance
Operating temperature	-40°C to +70°C
Storage temperature	-40°C to +85°C
Capacitance range	4F to 10F
Rated voltage	2.5 VDC
Endurance (At rated voltage & max. operating temp)	After 1000 hours: Capacitance change: Within $\pm 20\%$ of initial specified value ESR: Within 2 times of initial specified value
Projected Load life (At rated voltage & 25°C)	After 10 years: Capacitance change: Within $\pm 20\%$ of initial specified value ESR: Within 2 times of initial specified value
Projected cycle life (From rated voltage to 1/2 rated voltage at 25°C)	After 500,000 cycles: Capacitance change: Within $\pm 20\%$ of initial specified value ESR: Within 2 times of initial specified value
Shelf life	After 3 years, uncharged: Capacitance change: $\leq 10\%$ decrease from initial specified value ESR change: $\leq 50\%$ increase from initial specified value

DIMENSIONS



STANDARD PRODUCTS

Part Number	Nom. Cap. (F)	GMV (F)*	ESR DC (mΩ)	ESR AC (mΩ) (1 KHz)	Leakage Current (mA) (72 hrs @ 25C)	Dimensions (mm)					Weight/Unit (grams)
						L	W	T	d	LS	
PC5	4	3.6	500	362	0.02	14	23.6	4.8	0.5	5.1	4
PC10	10	9	180	130	0.04	29.6	23.6	4.8	0.5	5.1	6.3

*NOTE: GMV = Guaranteed Minimum Value.