

Thyristor-Diode Module, 70 Amps

Features

- Improved glass passivation for high reliability
- Exceptional stability at high temperatures
- High di/dt and dv/dt capabilities
- Low thermal resistance

**Voltage Ratings** ($T_A = 25^\circ\text{C}$, unless otherwise noted)

Type number	Voltage Code	V_{RRM} , Maximum repetitive peak reverse voltage	V_{RSM} , Maximum non-repetitive peak reverse voltage	V_{DRM} , Maximum repetitive peak off-state voltage	I_{RRM} , Maximum reverse leakage current @ T_{JMAX}
		(V)	(V)	(V)	(mA)
NTD72 H	200	2000	2100	2000	max. 15
	220	2200	2300	2200	

Electrical Characteristics ($T_A = 25^\circ\text{C}$ unless otherwise noted)

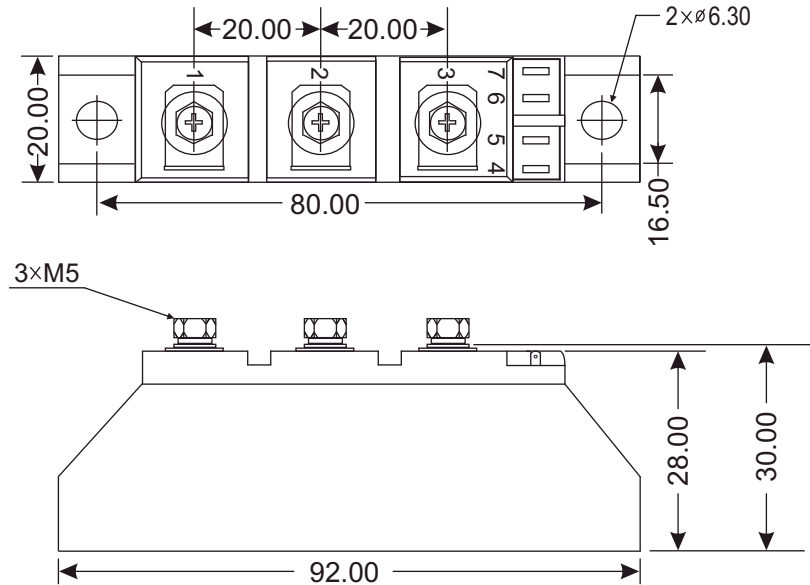
Parameter	Symbol	Values	Units
Maximum average forward current @ $T_J = 85^\circ\text{C}$	$I_{T(AV)}$	70	A
Maximum average RMS forward current	$I_{T(RMS)}$	110	A
Maximum non-repetitive surge current	I_{TSM}	1600	A
Maximum I^2t for fusing	I^2t	12800	A^2s
Forward voltage drop	V_{TM}	max. 1.8	V
Critical rate of rise of on-state current	di/dt	max. 150	$\text{A}/\mu\text{s}$
Critical rate of rise of off-state voltage	dv/dt	max. 1000	$\text{V}/\mu\text{s}$
Gate current required to trigger	I_{GT}	min. 150	mA
Gate voltage required to trigger	V_{GT}	min. 3	V
Maximum holding current	I_H	150	mA
Maximum latching current	I_L	300	mA
Isolation voltage	V_{ISO}	4000	V

Thermal & Mechanical Specifications ($T_A = 25^\circ\text{C}$ unless otherwise noted)

Parameter	Symbol	Values	Units
Operating junction temperature range	T_J	-40 to +125	$^\circ\text{C}$
Storage temperature	T_{stg}	-40 to +125	$^\circ\text{C}$
Thermal resistance, junction to case	$R_{th(jc)}$	0.35	$^\circ\text{C}/\text{W}$
Mounting torque	F	to heatsink	$5 \pm 15\%$
		to terminals	$3 \pm 15\%$
Weight	W	100	g

Package Outline

(All dimensions in mm)



Circuit Configuration

Circuit Description	Configuration Code	Circuit Drawing
Series Connection (doubler circuit)	N	<p>The circuit drawing for the Series Connection (doubler circuit) shows an AC input terminal 1 connected to the anode of the first diode. The cathode of the first diode is connected to terminal 2, which is the anode of the second diode. The cathode of the second diode is connected to terminal 3, which is the output terminal. The common cathode terminals are labeled 4 (G) and 5 (K).</p>
Common Anode	A	<p>The circuit drawing for the Common Anode configuration shows an AC input terminal 1 connected to the anode of the first diode. The cathode of the first diode is connected to terminal 2, which is the anode of the second diode. The cathode of the second diode is connected to terminal 3, which is the output terminal. The common cathode terminals are labeled 4 (G) and 5 (K).</p>



Ordering Table

<i>NTD</i>	<i>72</i>	<i>N</i>	<i>200</i>	<i>H</i>
1	2	3	4	5

1 – Power Module

- > DD = Diode-Diode
- > TD = Thyristor-Diode
- > TT = Thyristor-Thyristor

2 – Current Rating = $I_{T(AV)}$

3 – Circuit Configuration (see Table)

4 – Voltage Code (see Voltage Ratings table)

5 – High Voltage (2000V, 2200V)