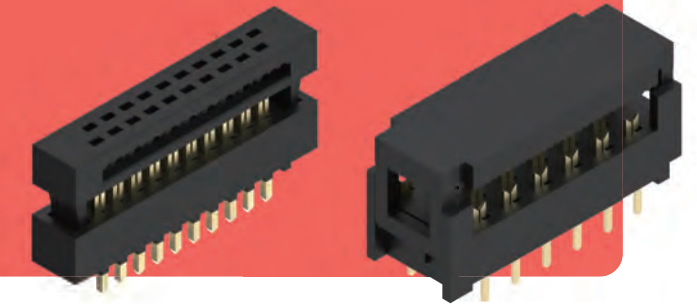
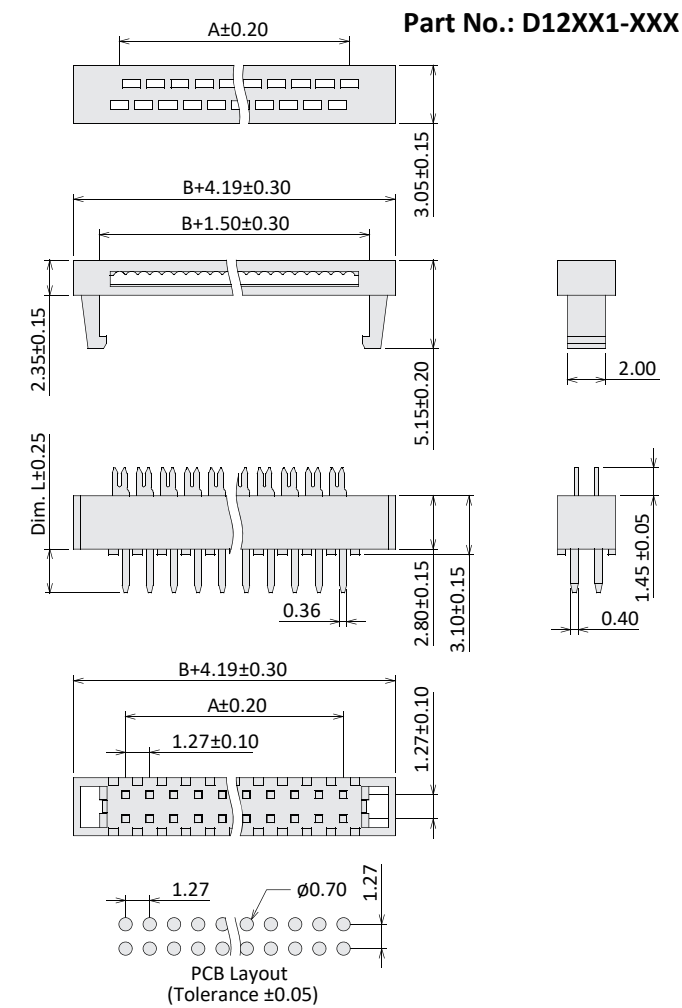


DIP Plug

Current Rate: 1A
 Dielectric Voltage: 500V AC for one minute
 Insulation Resistance: 1000MΩ Min.
 Contact Resistance: 20mΩ Max.
 Material Contact: Copper Alloy, Gold Plated
 Material Insulator: PBT, UL94V-0
 Operating Temperature: -40°C~+105°C

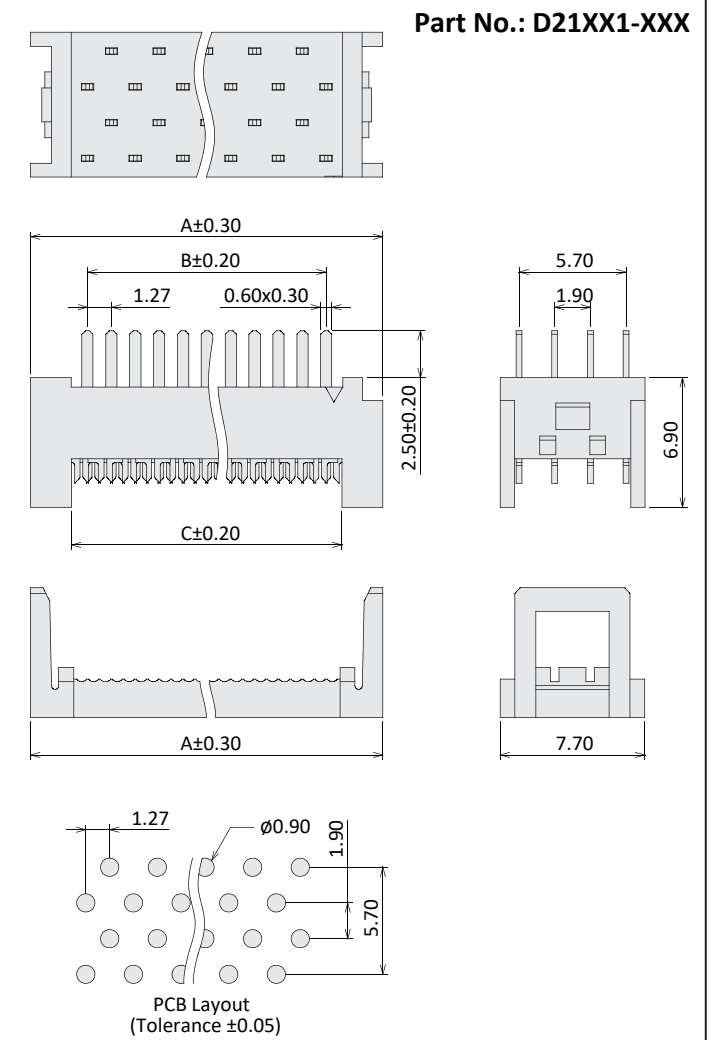


DIP Plug 1.27mm Pitch



No. of Contacts	Dimensions		No. of Contacts	Dimensions	
	A	B		A	B
06	2.54	3.81	26	15.24	16.51
08	3.81	5.08	30	17.78	19.05
10	5.08	6.35	34	20.32	21.59
12	6.35	7.62	40	24.13	25.40
14	7.62	8.89	44	26.67	27.94
16	8.89	10.16	50	30.48	31.75
18	10.16	11.43	60	36.83	38.10
20	11.43	12.70	64	39.37	40.64
24	13.97	15.24	80	49.53	50.80

DIP Plug 1.27x1.90mm Pitch



No. of Contacts	Dimensions			No. of Contacts	Dimensions		
	A	B	C		A	B	C
10	11.13	5.08	6.76	68	47.96	41.91	43.59
20	17.48	11.43	13.11	70	49.23	43.18	44.86
26	21.29	15.24	16.92	72	50.50	44.45	46.13
30	23.83	17.78	19.46	80	55.58	49.53	51.21
40	30.18	24.13	25.81	90	61.93	55.88	57.56
50	36.53	30.48	32.16	100	68.28	62.23	63.91
60	42.88	36.83	38.51				

Order Information

D **XX** **XX** **1** - **XX** **X**

12: 1.27mm
21: 1.27x1.9mm

G0: Gold Flash
S0: Gold / Tin
T: Tin Plated

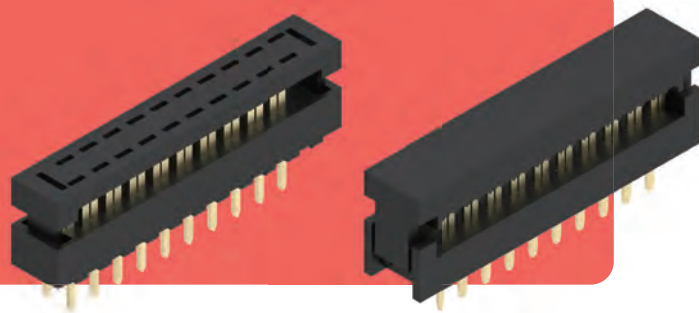
1: RoHS + PBT

No. of Contacts (See Table)

Dim. L
1: 3.1mm
2: 2.3mm
3: 2.0mm (For D12 only)

DIP Plug

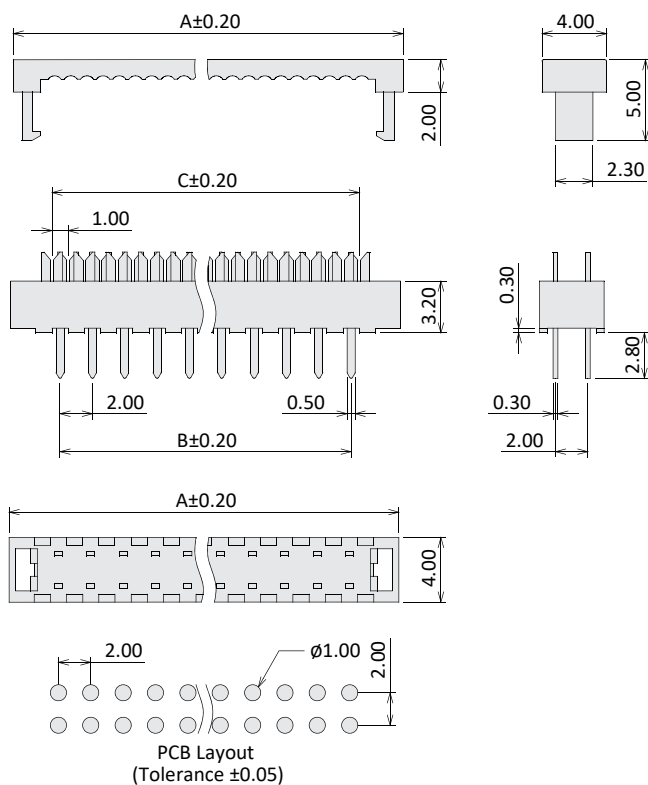
Current Rate: 1A
 Dielectric Voltage: 500V AC for one minute
 Insulation Resistance: 1000MΩ Min.
 Contact Resistance: 20mΩ Max.
 Material Contact: Copper Alloy, Gold Plated
 Material Insulator: PBT, UL94V-0
 Operating Temperature: -40°C~+105°C



Header & Socket

DIP Plug 2.00mm Pitch

Part No.: D20XX1-XX

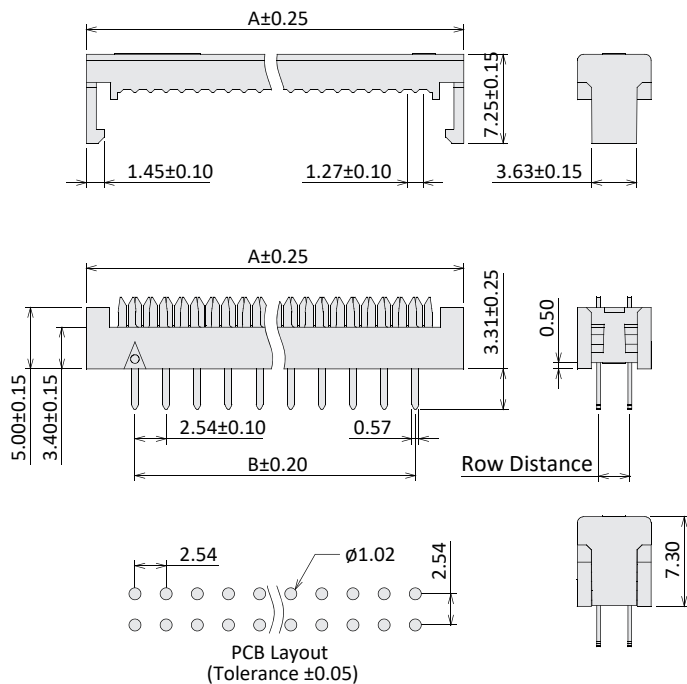


No. of Contacts	Dimensions		
	A	B	C
06	10.10	4.00	5.00
08	12.10	6.00	7.00
10	14.10	8.00	9.00
12	16.10	10.00	11.00
14	18.10	12.00	13.00
16	20.10	14.00	15.00
18	22.10	16.00	17.00
20	24.10	18.00	19.00
22	26.10	20.00	21.00
24	28.10	22.00	23.00
26	30.10	24.00	25.00
28	32.10	26.00	27.00
30	34.10	28.00	29.00
32	36.10	30.00	31.00

No. of Contacts	Dimensions		
	A	B	C
34	38.10	32.00	33.00
36	40.10	34.00	35.00
38	42.10	36.00	37.00
40	44.10	38.00	39.00
42	46.10	40.00	41.00
44	48.10	42.00	43.00
46	50.10	44.00	45.00
48	52.10	46.00	47.00
50	54.10	48.00	49.00
52	56.10	50.00	51.00
54	58.10	52.00	53.00
56	60.10	54.00	55.00
58	62.10	56.00	57.00
60	64.10	58.00	59.00

DIP Plug 2.54mm Pitch

Part No.: D25XX1-XXX



No. of Contacts	Dimensions	
	A	B
06	13.07	5.08
08	15.61	7.62
10	18.15	10.16
14	23.23	15.24
16	25.77	17.78
20	30.85	22.86
24	35.93	27.94
26	38.47	30.48
30	43.55	35.56
34	48.63	40.64
36	51.17	43.18
40	56.25	48.26
50	68.95	60.96
60	81.65	73.66
64	86.73	78.74

Order Information

D **XX** **XX** **1** - **1** **XX**

20: 2.0mm
25: 2.54mm

G0: Gold Flash
S0: Gold / Tin

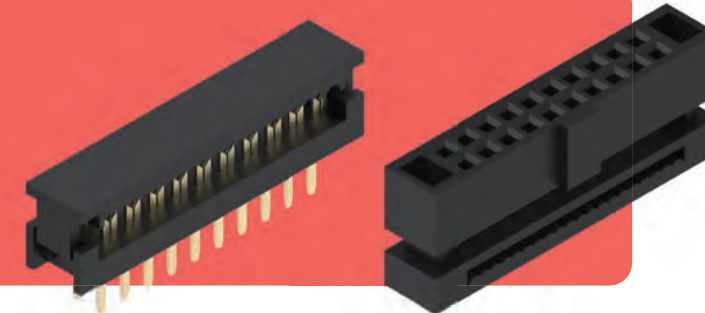
1: RoHS + PBT

Row Distance
1: 2.54mm
2: 7.62mm
3: 15.24mm
(For Pitch 2.54 only)

No. of Contacts
(See Table)

DIP Plug & IDC Socket

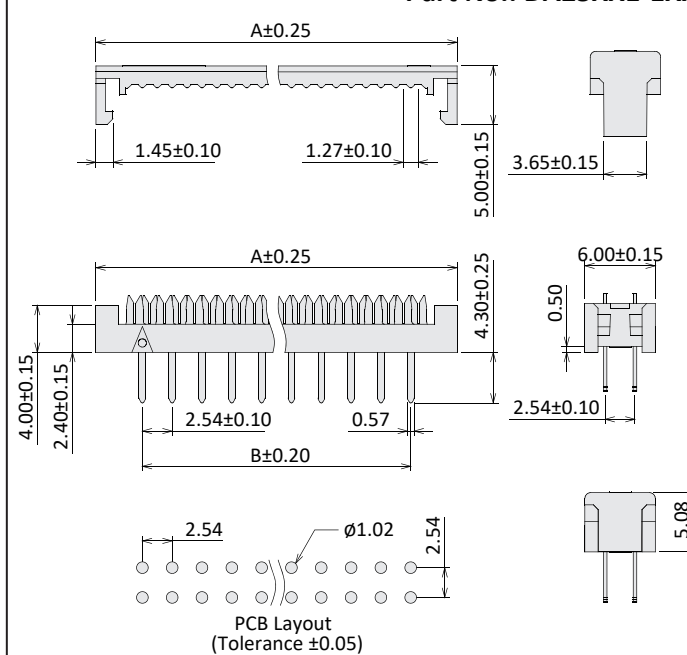
Current Rate: 1A
 Dielectric Voltage: 500V AC for one minute
 Insulation Resistance: 1000MΩ Min.
 Contact Resistance: 20mΩ Max.
 Material Contact: Copper Alloy, Gold Plated
 Material Insulator: PBT, UL94V-0
 Operating Temperature: -40°C~+105°C



Header & Socket

DIP Plug 2.54mm Pitch

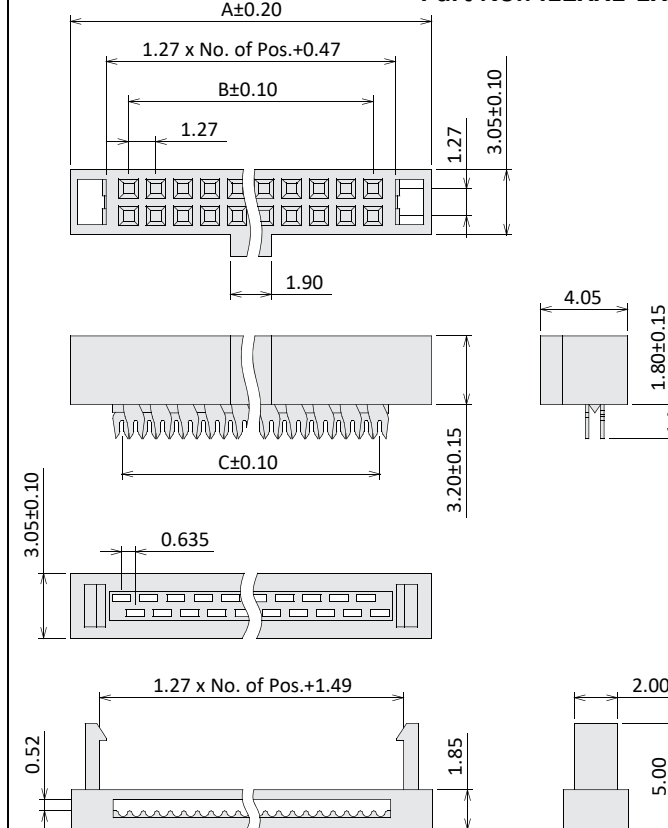
Part No.: DA25XX1-1XX



No. of Contacts	Dimensions	
	A	B
06	12.98	5.08
08	15.52	7.62
10	18.06	10.16
14	23.14	15.24
16	25.68	17.78
20	30.76	22.86
24	35.84	27.94
26	38.38	30.48
30	43.46	35.56
34	48.54	40.64
36	51.08	43.18
40	56.16	48.26
50	68.86	60.96
60	81.56	73.66
64	86.64	78.74

IDC Socket 1.27mm Pitch

Part No.: I12XX1-1XXB



No. of Contacts	Dimensions		
	A	B	C
06	8.00	2.54	3.175
08	9.27	3.81	4.445
10	10.54	5.08	5.715
12	11.81	6.35	6.985
14	13.08	7.62	8.255
16	14.35	8.89	9.525
18	15.62	10.16	10.795
20	16.89	11.43	12.065
22	18.16	12.70	13.335
24	19.43	13.97	14.605
26	20.70	15.24	15.875
28	21.97	16.51	17.145

No. of Contacts	Dimensions		
	A	B	C
30	23.24	17.78	18.415
34	25.78	20.32	20.955
40	29.59	24.13	24.765
44	32.13	26.67	27.305
50	35.94	30.48	31.115
52	37.21	31.75	32.385
60	42.29	36.83	37.465
64	44.83	39.37	40.005
68	47.37	41.91	42.545
80	54.99	49.53	50.165
100	67.69	62.23	62.865

Order Information

X **XX** **XX** **1** - **1** **XX** **B**

DA: DIP Plug
I: IDC

25: 2.54mm
12: 1.27mm

G0: Gold Flash
S0: Gold / Tin

1: RoHS + PBT

Row Distance
2.54mm
(For DIP Plug only)

No. of Contacts
(See Table)

With Bump
(For IDC Only)