

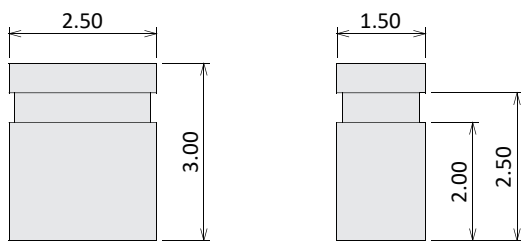
Mini Jumper

Current Rate: 1A
 Dielectric Voltage: 500V AC for one minute
 Insulation Resistance: 1000MΩ Min.
 Contact Resistance: 20mΩ Max.
 Material Contact: Copper Alloy, Gold / Tin
 Material Insulator: PBT, UL94V-0
 Operating Temperature: -40°C~+105°C

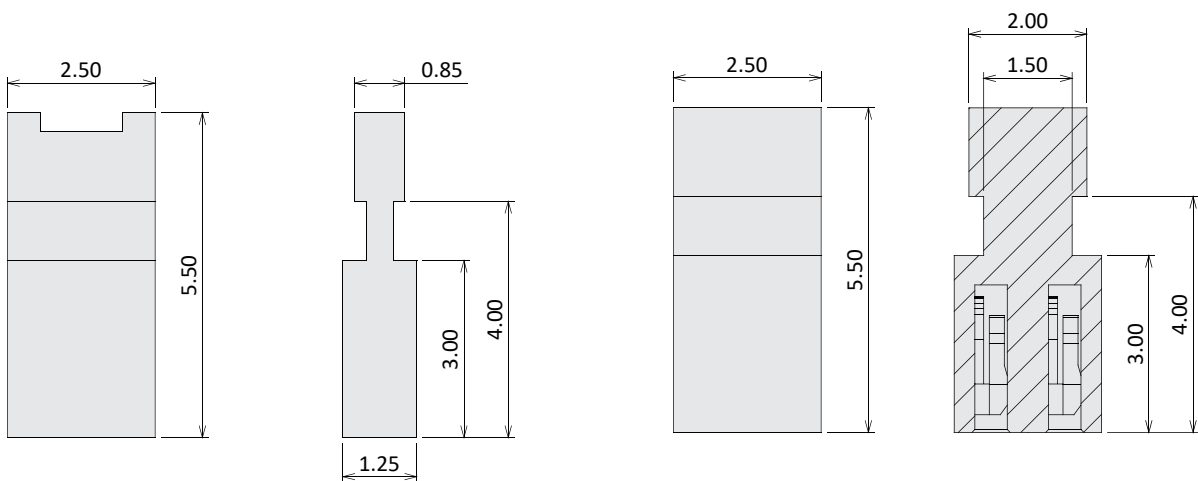


Header & Socket

Mini Jumper 1.27mm Pitch



Part No.: UA12S0X-X



Part No.: UB12S0X-X

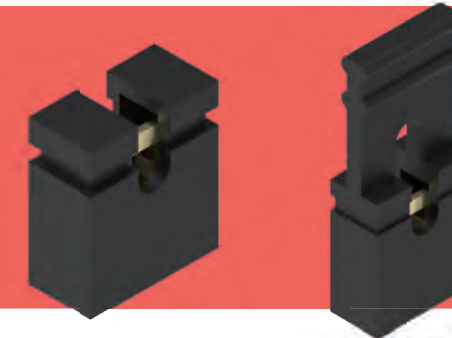
Part No.: UC12S0X-X

Order Information

U	X	12	S0	X	-	X
A: Close 3.0mm B: Handle 5.5mm C: 2 Positions	1.27mm Pitch	S0: Gold / Tin	B: Brass P: Phosphor Bronze	B: Black E: Green G: Gray R: Red		U: Blue W: White Y: Yellow

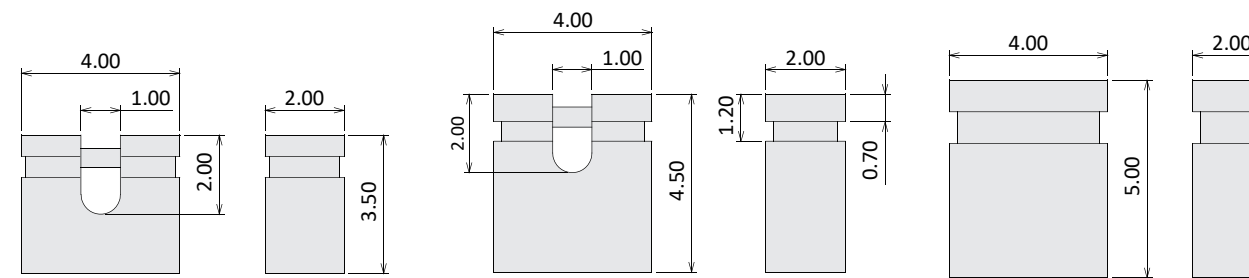
Mini Jumper

Current Rate: 2A
 Dielectric Voltage: 500V AC for one minute
 Insulation Resistance: 1000MΩ Min.
 Contact Resistance: 20mΩ Max.
 Material Contact: Copper Alloy, Gold / Tin
 Material Insulator: PBT, UL94V-0
 Operating Temperature: -40°C~+105°C



Header & Socket

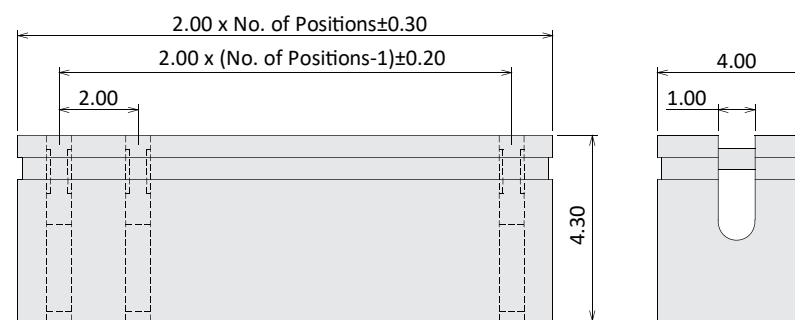
Mini Jumper 2.00mm Pitch



Part No.: UA20S0X-X

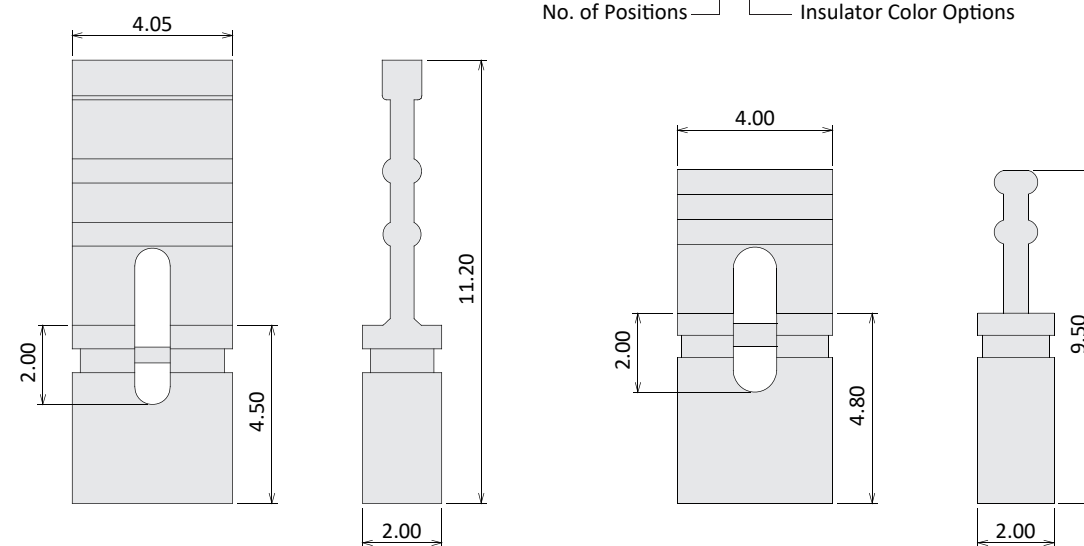
Part No.: UB20S0X-X

Part No.: UC20S0X-X



Part No.: UD20S0X-XX X

No. of Positions | Insulator Color Options



Part No.: UE20S0X-X

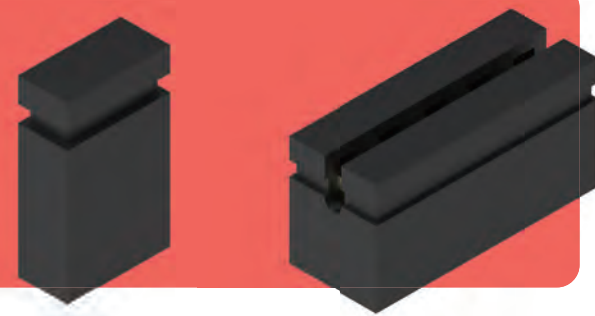
Part No.: UF20S0X-X

Order Information

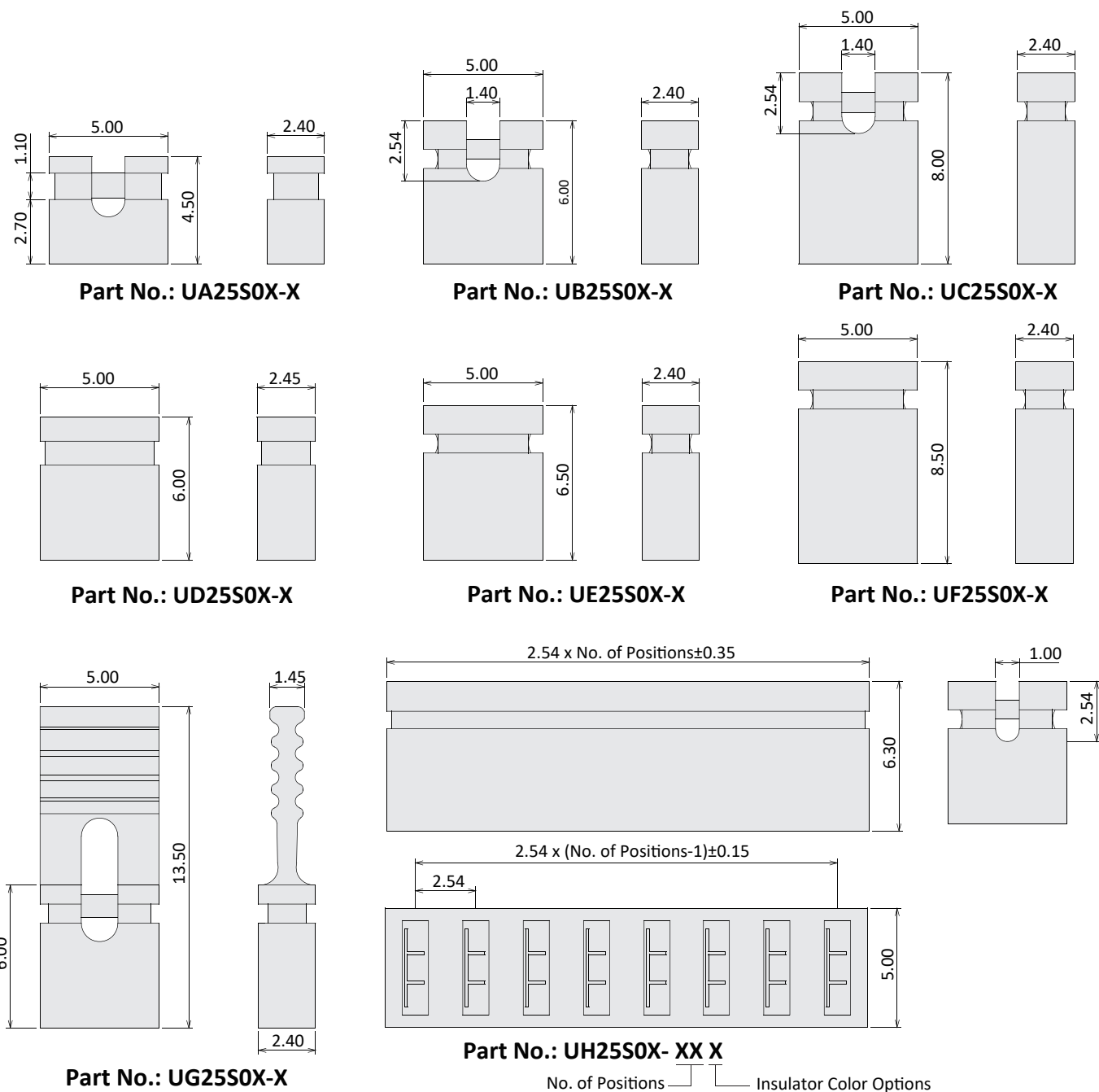
U	X	20	S0	X	-	X
A: Open 3.5mm B: Open 4.5mm C: Close 5.0mm	D: Multi Position E: Handle 11mm F: Handle 9.5mm	2.00mm Pitch	S0: Gold / Tin	B: Brass P: Phosphor Bronze		B: Black E: Green G: Gray R: Red
						U: Blue W: White Y: Yellow

Mini Jumper

Current Rate: 3A
 Dielectric Voltage: 500V AC for one minute
 Insulation Resistance: 1000MΩ Min.
 Contact Resistance: 20mΩ Max.
 Material Contact: Copper Alloy, Gold / Tin
 Material Insulator: PBT, UL94V-0
 Operating Temperature: -40°C~+105°C



Mini Jumper 2.54mm Pitch



Order Information

U	X	25	S0	X	-	X
A: Open 4.5mm B: Open 6.0mm C: Open 8.0mm D: Close 6.0mm	E: Close 6.5mm F: Close 8.5mm G: Handle 13.75mm H: Multi Position	2.54mm Pitch	S0: Gold / Tin	B: Brass P: Phosphor Bronze		B: Black E: Green G: Gray R: Red U: Blue W: White Y: Yellow