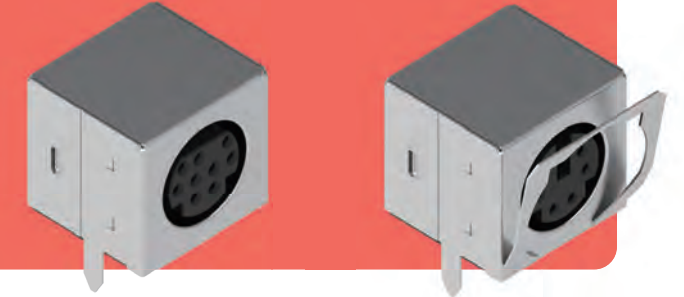
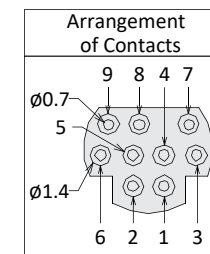
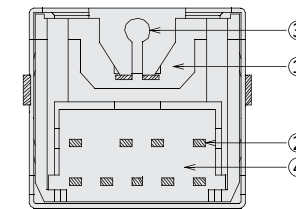
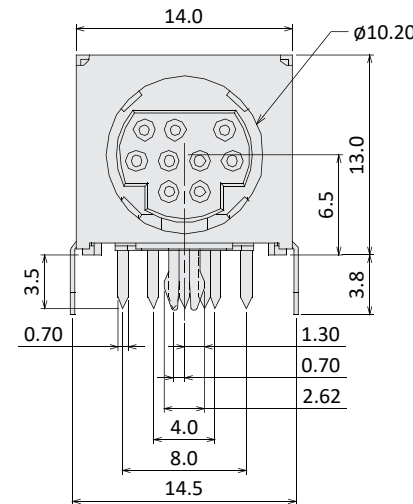


Mini DIN Jack

Current Rate: 2A Max.
 Voltage Rate: DC 12V
 Dielectric Voltage: 250V AC for one minute
 Insulation Resistance: 100MΩ Min.
 Contact Resistance: 30mΩ Max.
 Operating Temperature: -40°C~+85°C

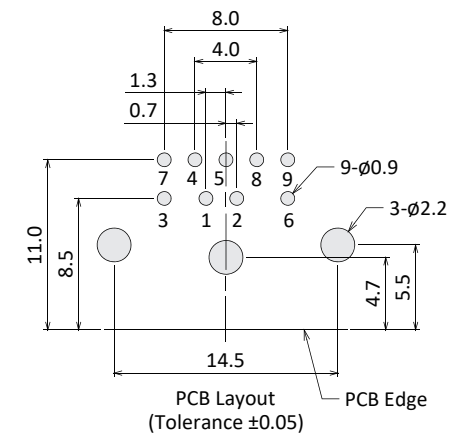


Mini DIN Jack Flat DIP Type



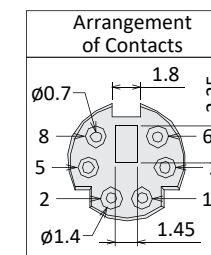
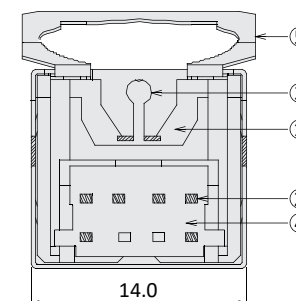
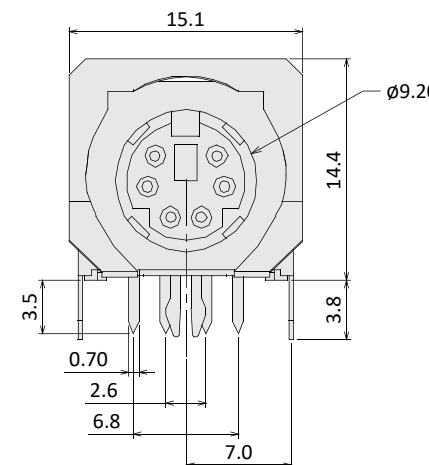
Part No.: MDN103 - 9

No. of Contacts
(3 ~ 9 Pin Available)



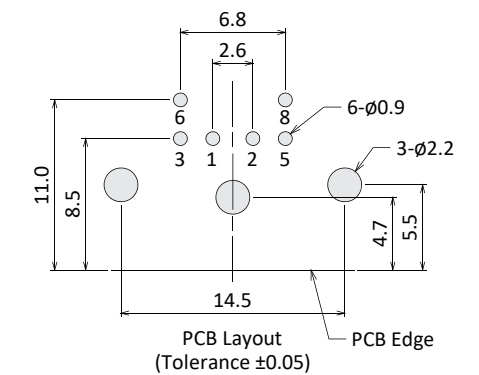
No.	Part Name	Qty	Material	Note
4	Cover	1	PBT G.F.	Black
3	Shield	1	Brass	Tin
2	Contact	N	Phos. Bronze	Gold/Tin
1	Housing	1	PBT G.F.	Black

Mini DIN Jack With Spring DIP Type



Part No.: MDN102 - 6

No. of Contacts
(3 ~ 9 Pin Available)



No.	Part Name	Qty	Material	Note
5	Spring Shield	1	Stainless Steel	-
4	Cover	1	PBT G.F.	Black
3	Shield	1	Brass	Tin
2	Contact	N	Phos. Bronze	Gold/Tin
1	Housing	1	PBT G.F.	Black

I/O Connector

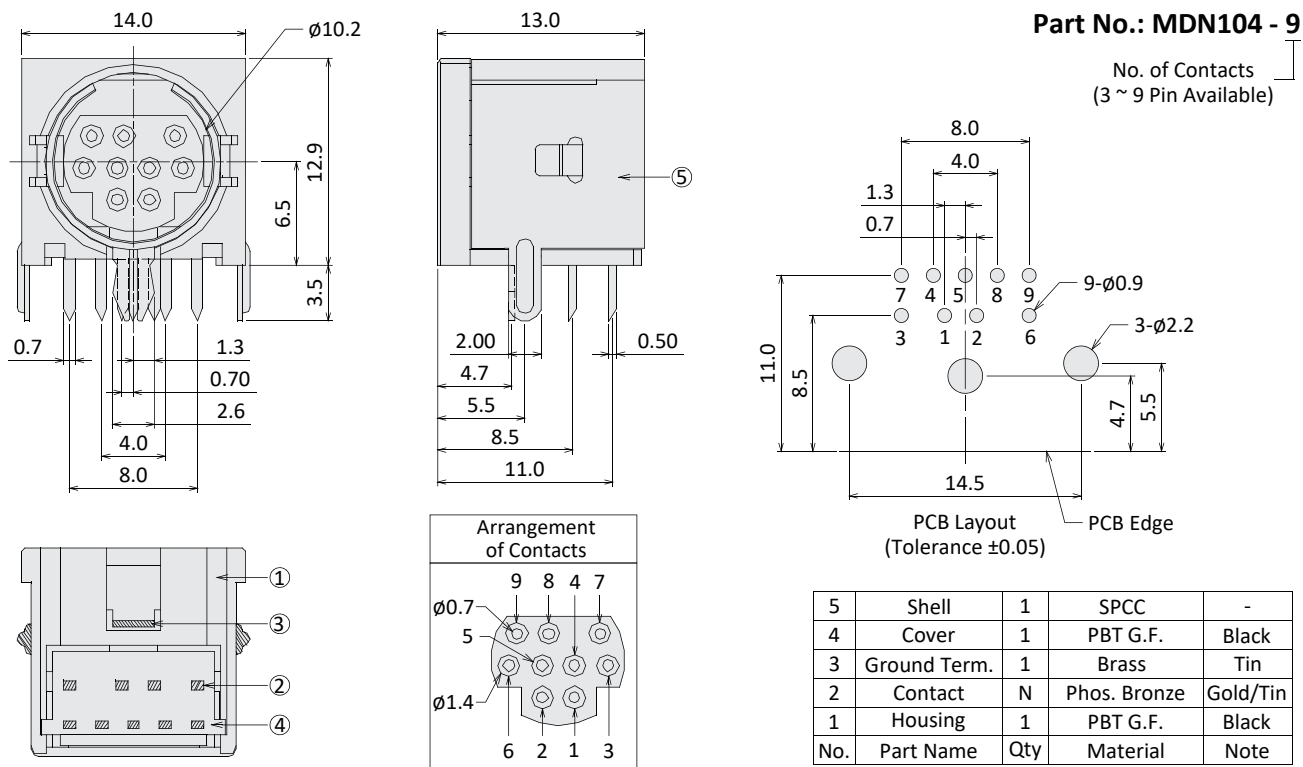
I/O Connector

Mini DIN Jack

Current Rate: 2A Max.
Voltage Rate: DC 12V
Dielectric Voltage: 250V AC for one minute
Insulation Resistance: 100MΩ Min.
Contact Resistance: 30mΩ Max.
Operating Temperature: -40°C~+85°C

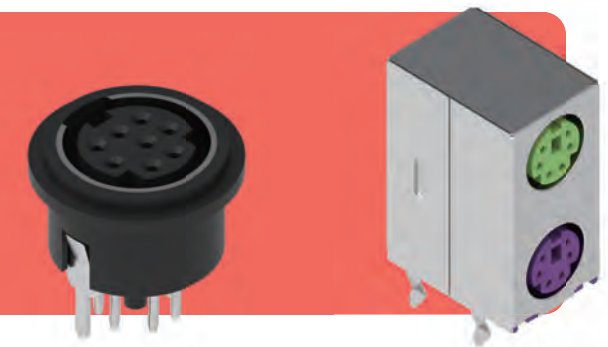


Mini DIN Jack Flat DIP Type

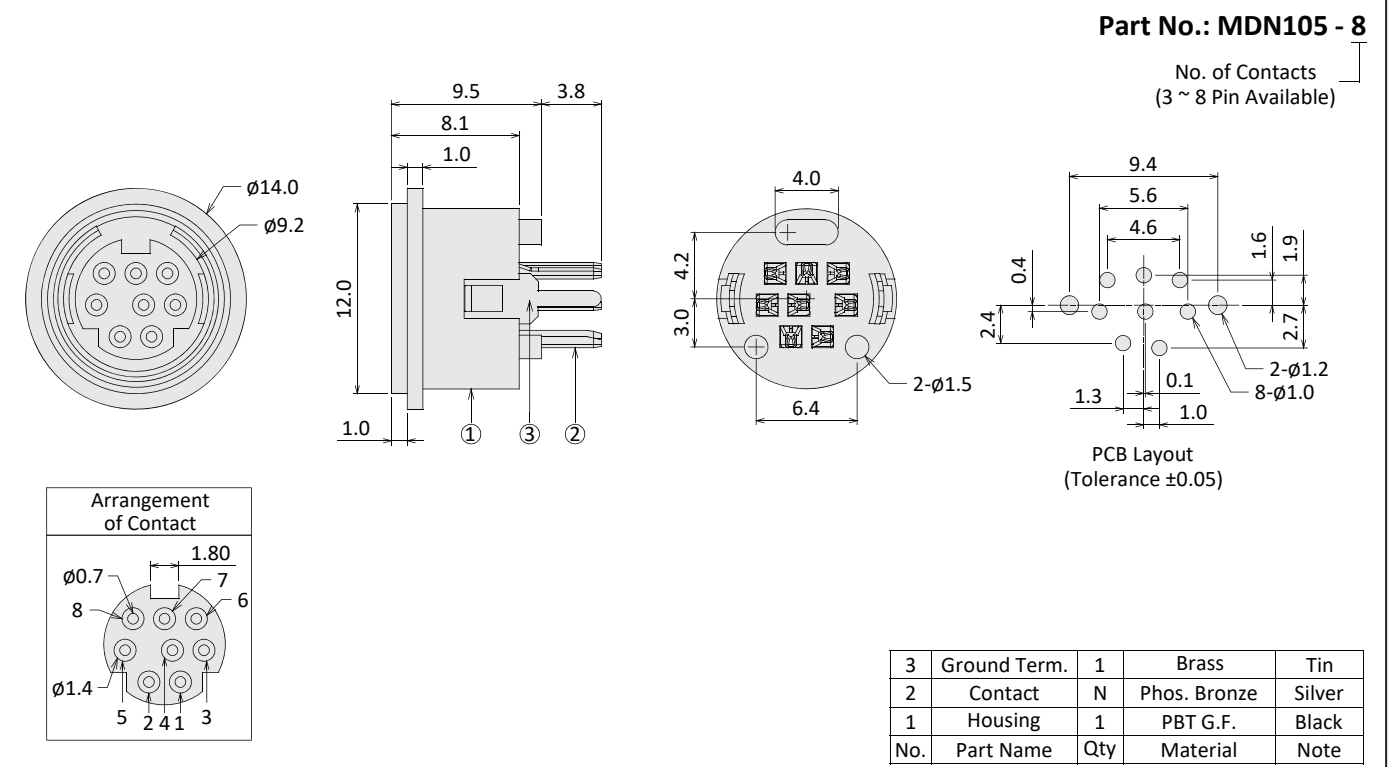


Mini DIN Jack

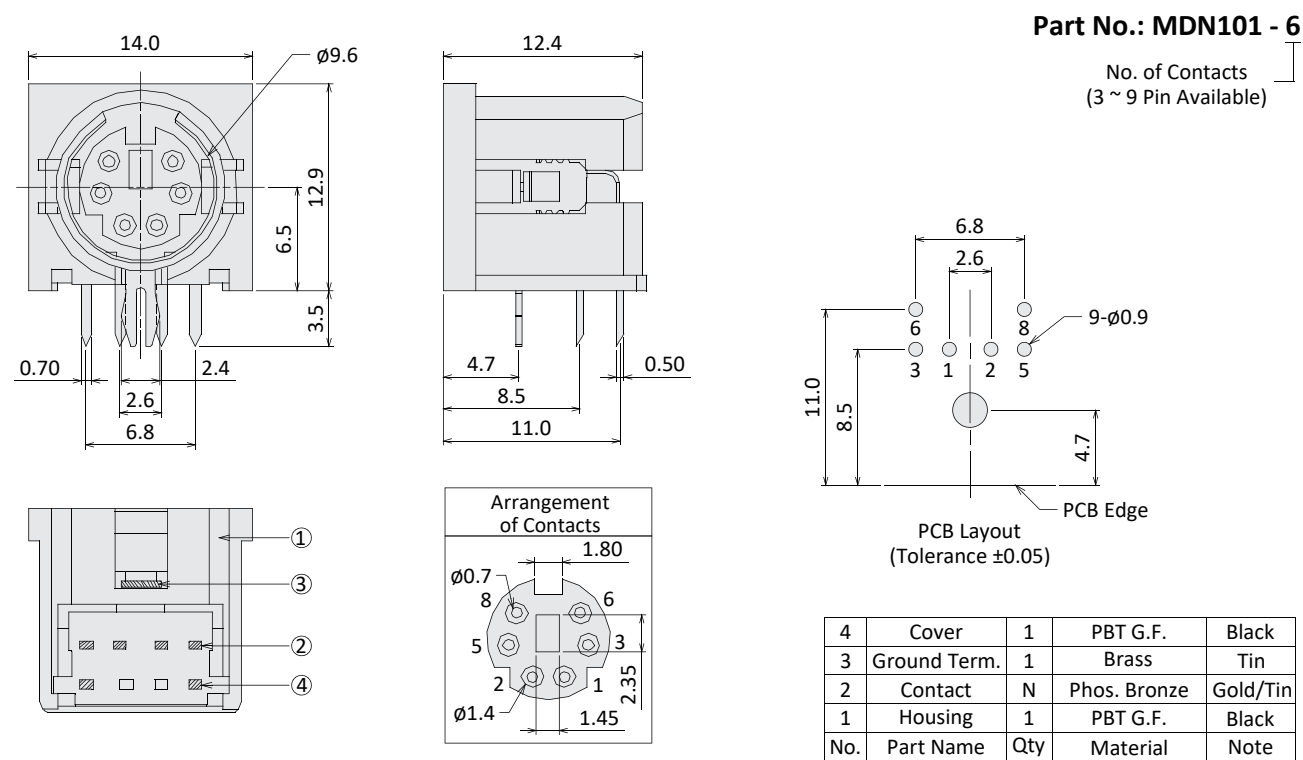
Current Rate: 2A Max.
Voltage Rate: DC 12V
Dielectric Voltage: 250V AC for one minute
Insulation Resistance: 100MΩ Min.
Contact Resistance: 30mΩ Max.
Operating Temperature: -40°C~+85°C



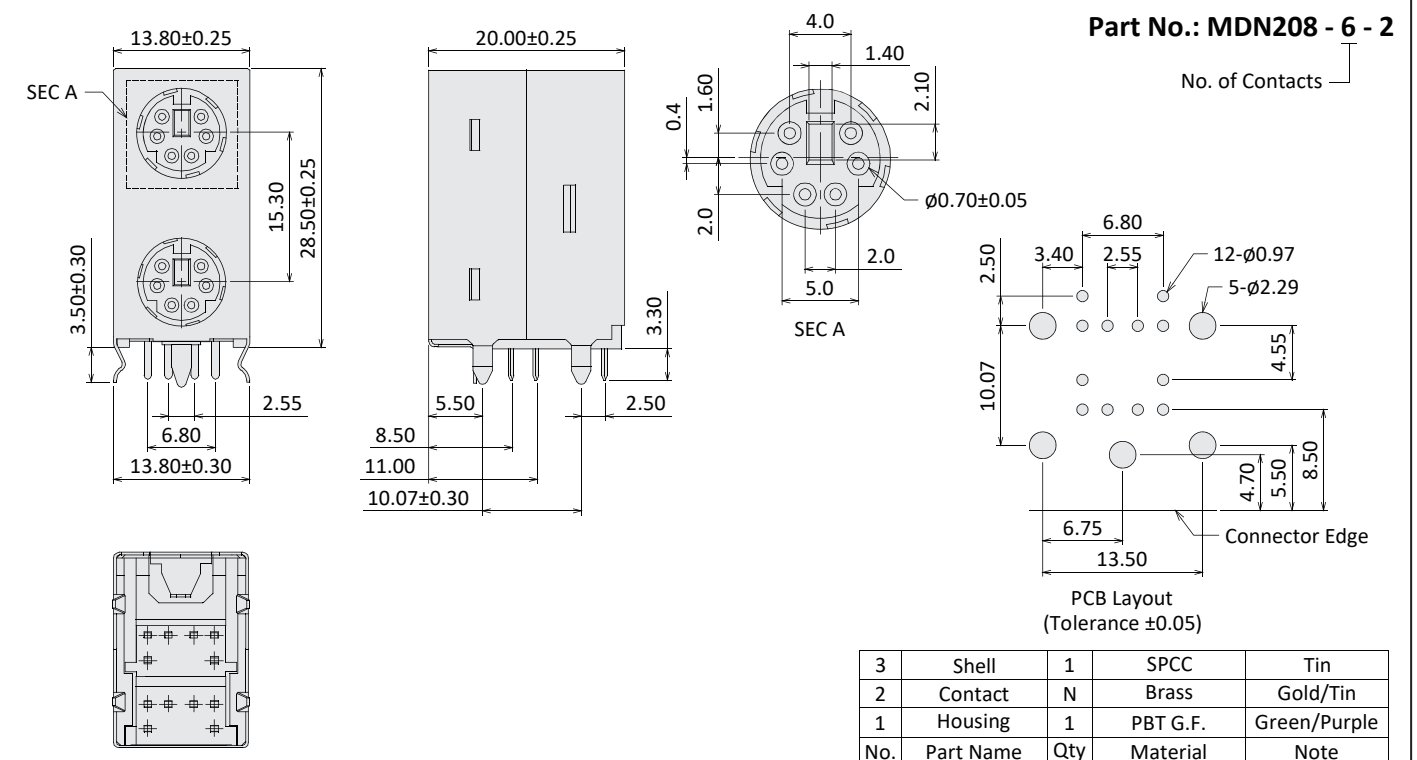
Mini DIN Jack Vertical Type



Mini DIN Jack Flat DIP Type



Mini DIN Jack Dual Ports DIP Type



Mini DIN Jack & DIN Jack

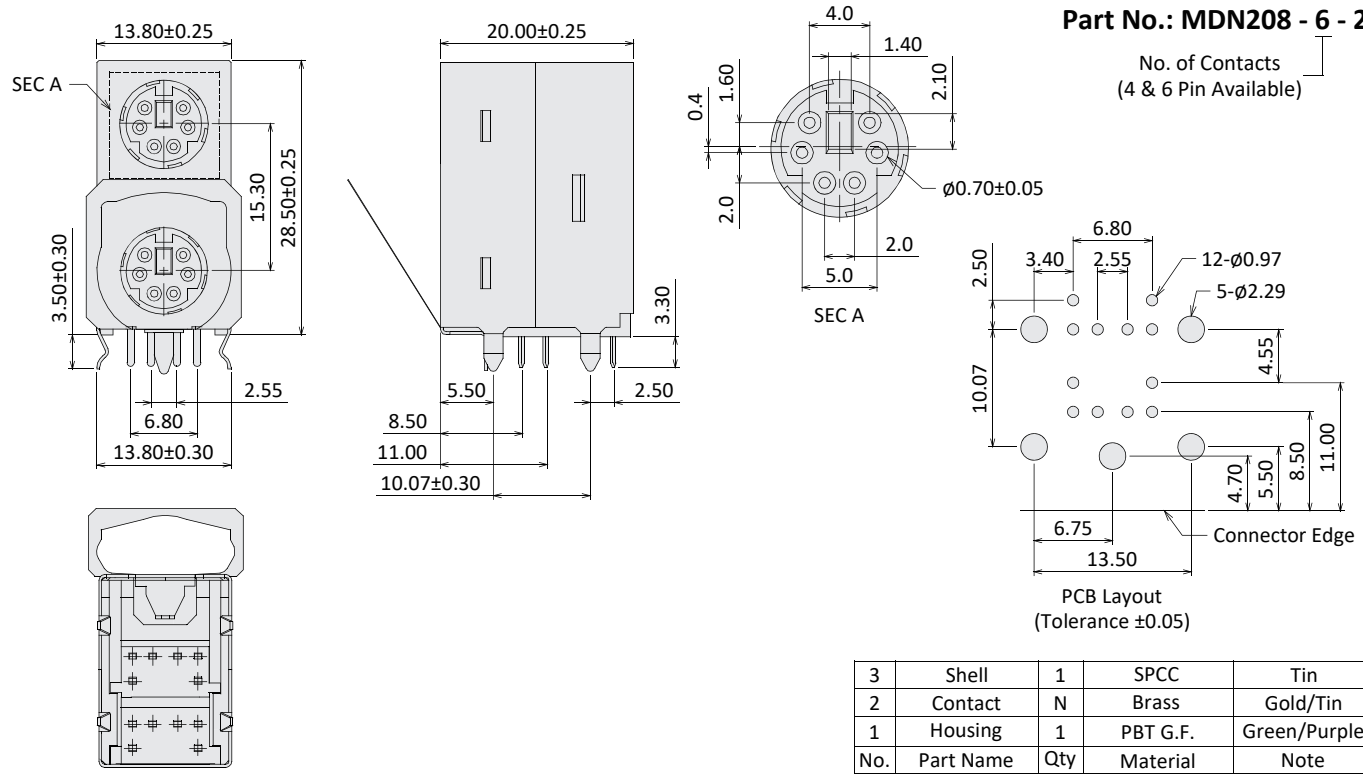
Current Rate: 2A Max.
 Voltage Rate: DC 12V
 Dielectric Voltage: 250V AC for one minute
 Insulation Resistance: 100MΩ Min.
 Contact Resistance: 30mΩ Max.
 Operating Temperature: -40°C~+85°C



Mini DIN Jack With Spring Dual Ports DIP Type

Part No.: MDN208 - 6 - 2S

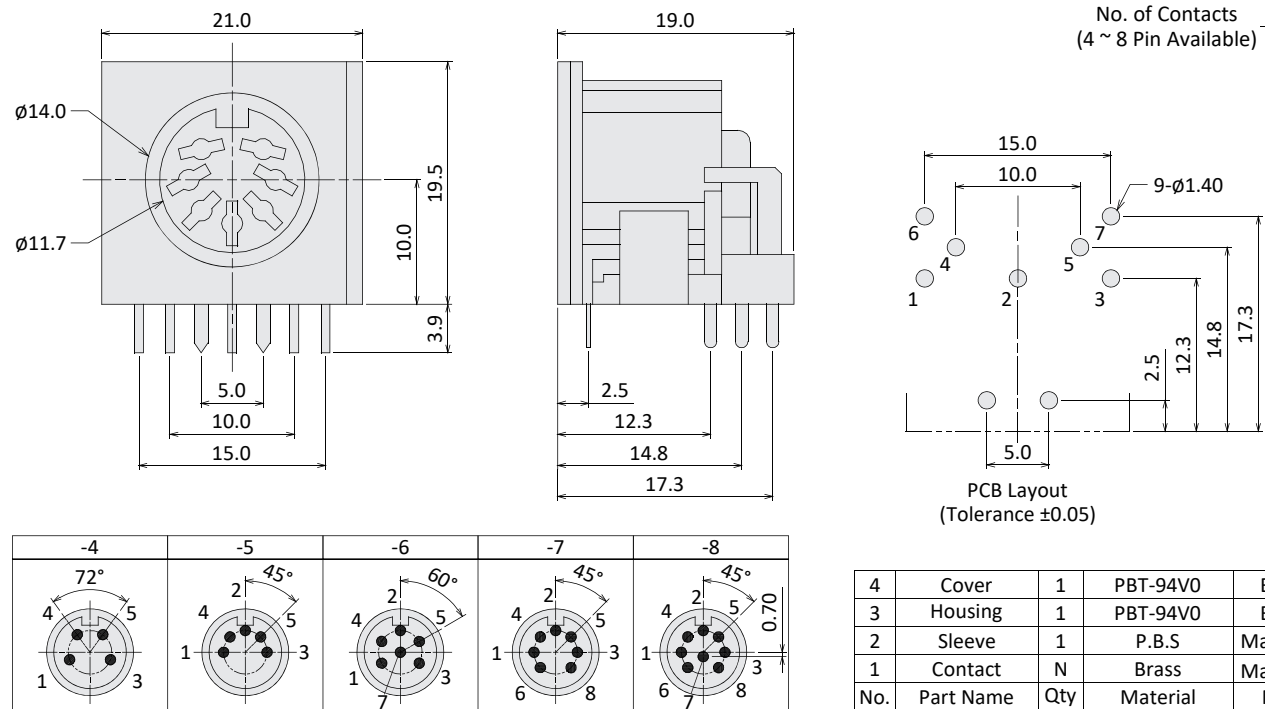
No. of Contacts
(4 & 6 Pin Available)



DIN Jack Flat DIP Type

Part No.: DN0507 - 7 - SA

No. of Contacts
(4 ~ 8 Pin Available)



DIN Jack & DIN Plug

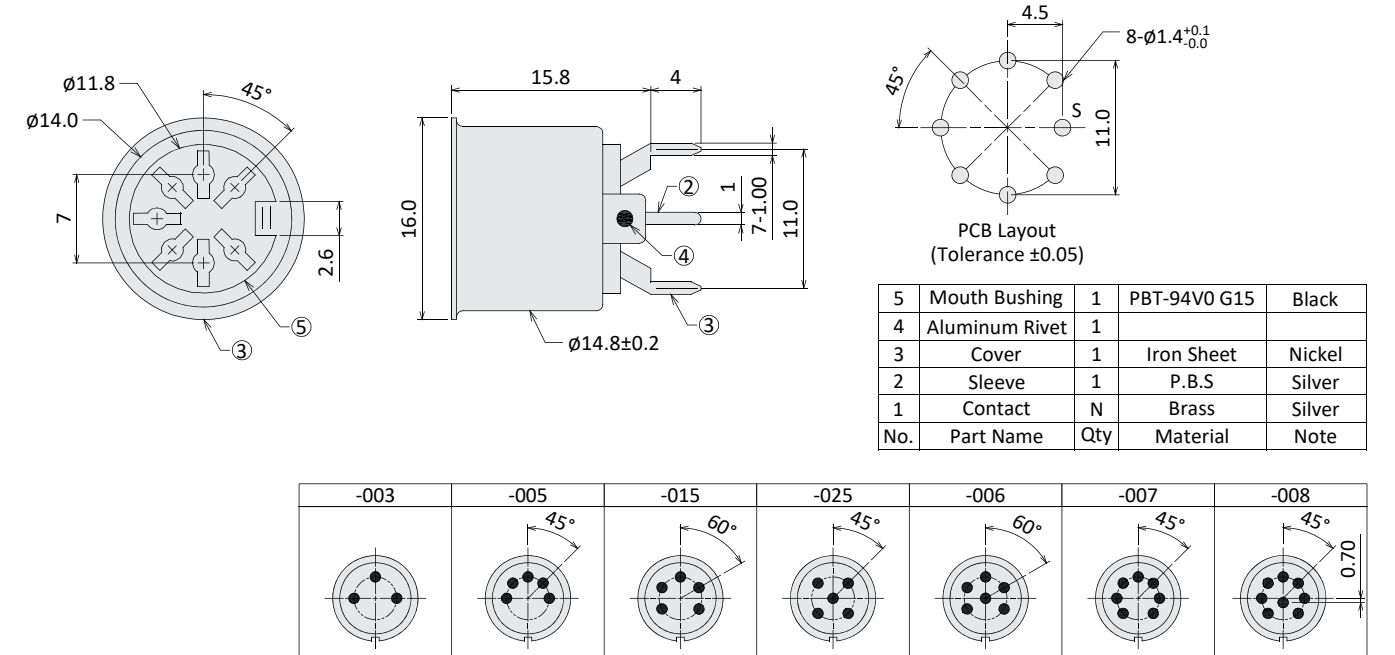
Current Rate: 2A Max.
 Voltage Rate: DC 12V
 Dielectric Voltage: 250V AC for one minute
 Insulation Resistance: 1000MΩ Min.
 Contact Resistance: 30mΩ Max.
 Operating Temperature: -40°C~+85°C



DIN Jack Vertical Type

Part No.: DN0506 - XXX

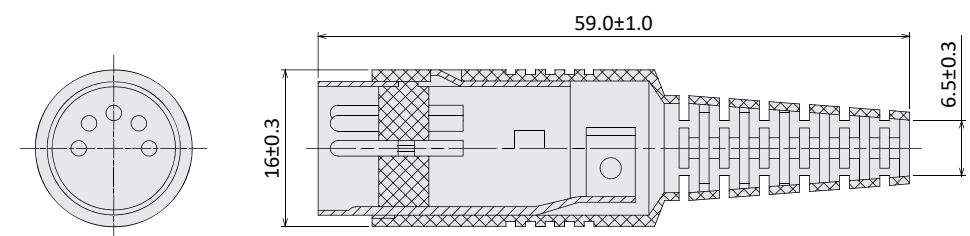
No. of Contacts
(See Table)



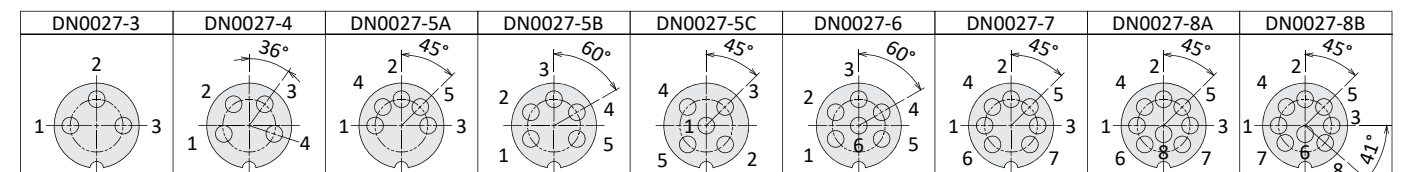
DIN Plug Assembly Type

Part No.: DN0027 - X

No. of Contacts
(See Table)



No.	Part Name	Qty	Material	Note
4	Shell	1	Iron	Tin
3	Housing	1	ABS	Black
2	Sleeve	1	EVA	
1	Contact	N	Brass	Silver



Power DIN Jack & Plug

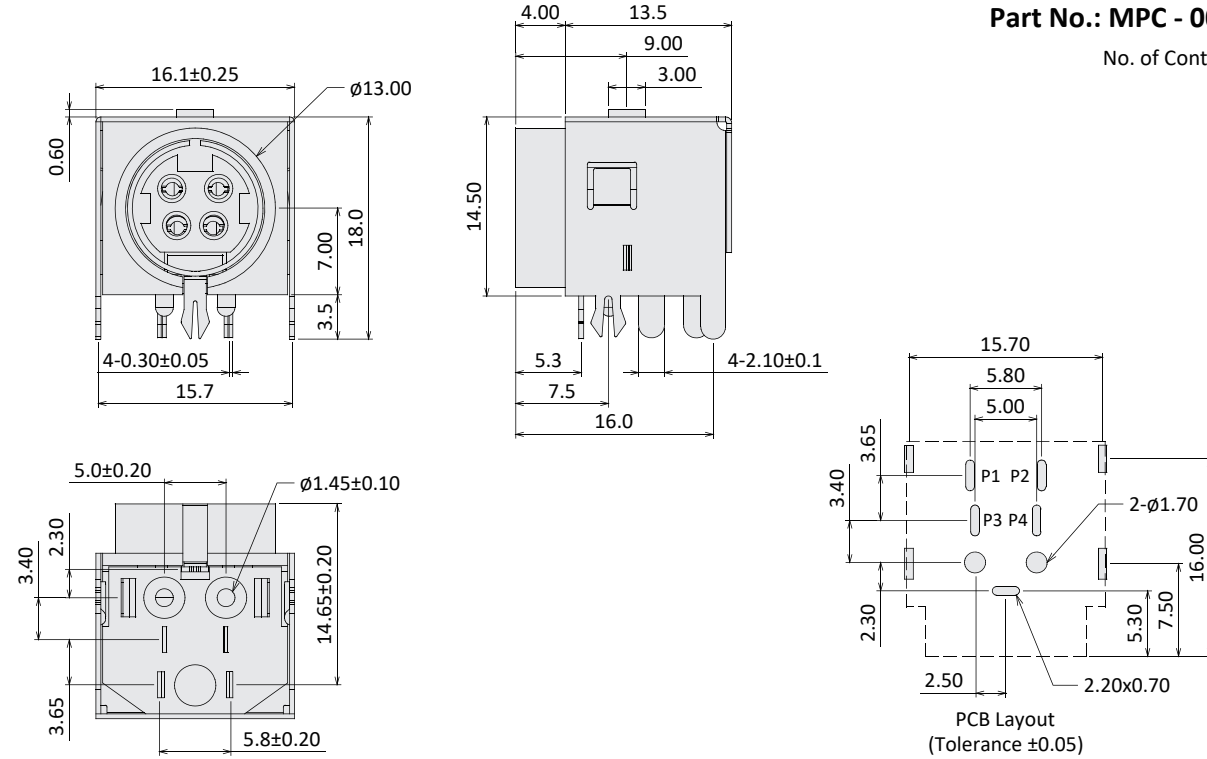
Current Rate: 7.5A Max.
 Voltage Rate: DC 20V
 Dielectric Voltage: 500V AC for one minute
 Insulation Resistance: 50MΩ Min.
 Contact Resistance: 30mΩ Max.
 Material Contact: Copper Alloy, Gold/Tin
 Material Shell: SPCC, Tin Plated
 Material Insulator: PBT, UL94V-0
 Operating Temperature: -20°C~+85°C



Power DIN Jack Shielded DIP Type

Part No.: MPC - 001 - 4

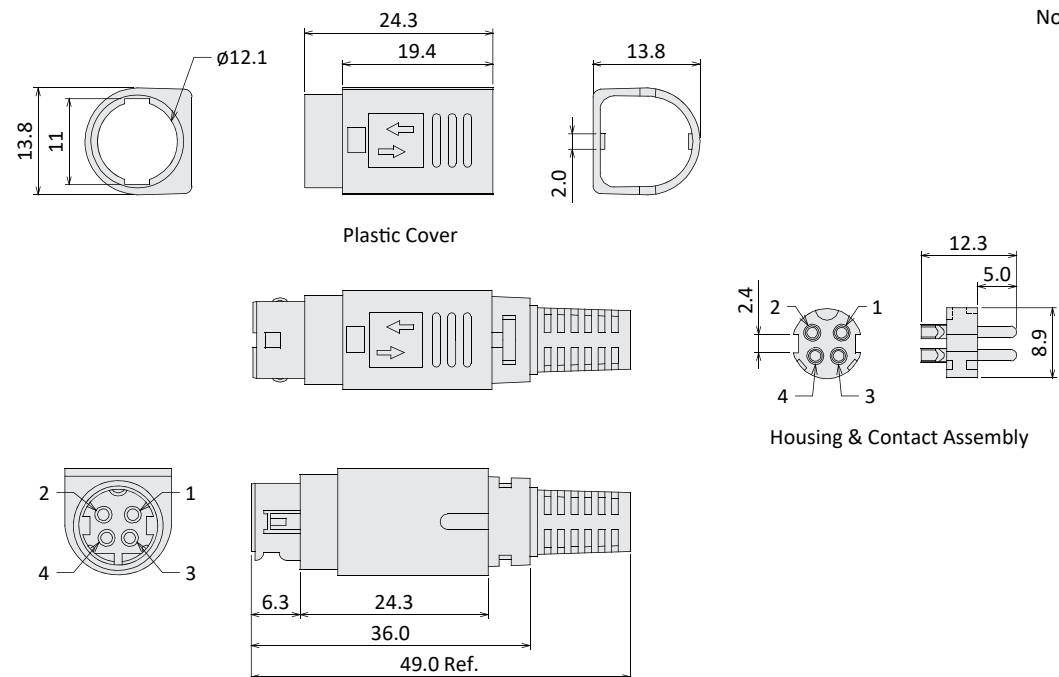
No. of Contacts



Power DIN Plug Assembly

Part No.: PDNA - M245 - 4

No. of Contacts



I/O Connector