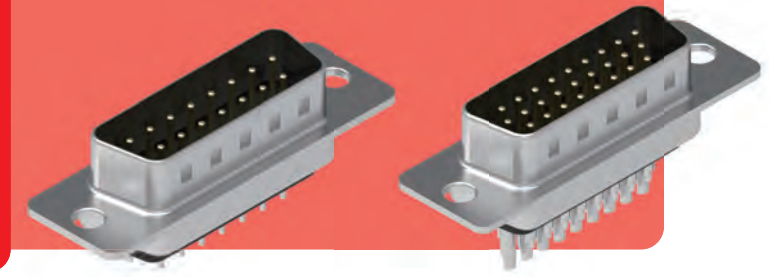


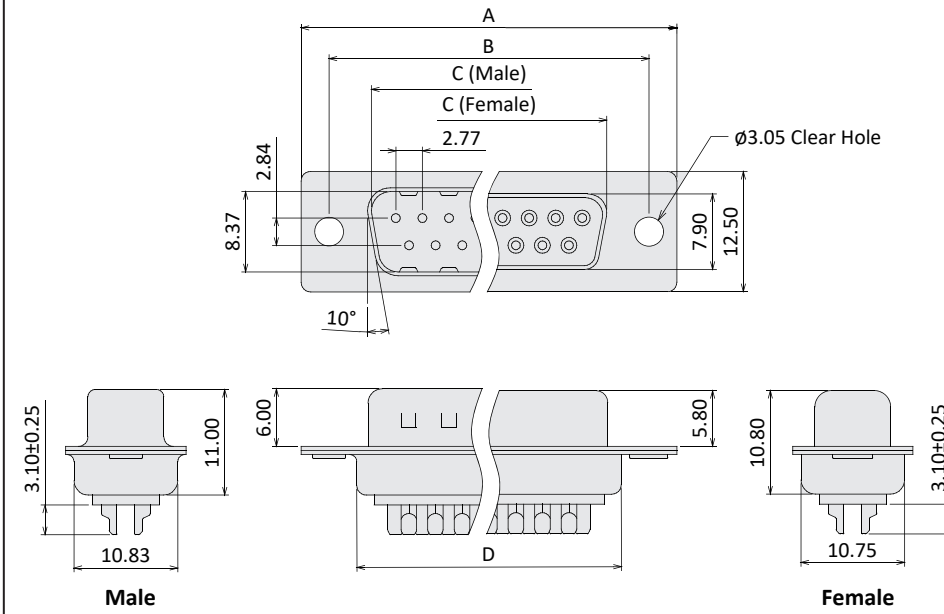
D-SUB Connector

Current Rate: 3A AC,DC
 Dielectric Voltage: 500V AC for one minute
 Insulation Resistance: 1000MΩ Min.
 Contact Resistance: 20mΩ Max.
 Material Contact: Copper Alloy, Gold / Tin
 Material Shell: Steel, Nickel or Tin Plated
 Material Insulator: PBT, UL94V-0
 Operating Temperature: -55°C~+105°C



D-SUB Solder Type

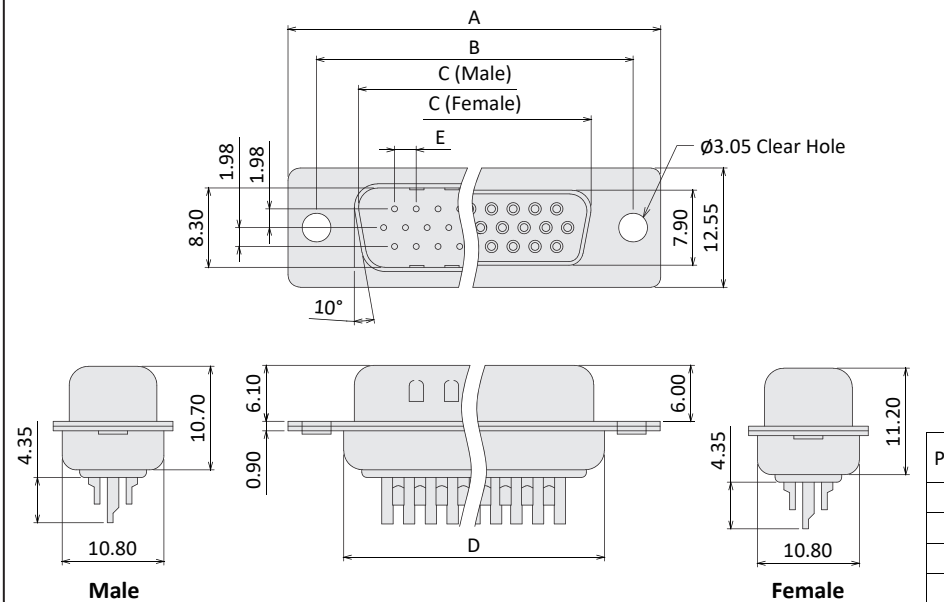
Part No.: VSXX1-XXXXXX



Positions	A	B	C Male	C Female	D
09	30.81	24.99	16.92	16.33	19.23
15	39.14	33.32	25.50	24.66	27.56
25	53.04	47.04	38.96	38.38	41.28
37	69.32	63.50	55.42	54.84	57.33

D-SUB High Density Solder Type

Part No.: VHSXX1-XXXXXX



Positions	A	B	C Male	C Female	D	E
15	30.99	24.99	17.92	16.34	18.81	2.29
26	39.20	33.32	26.38	24.76	27.70	2.29
44	53.05	47.04	39.94	38.33	41.10	2.29
62	70.50	63.50	56.43	54.80	54.80	2.41

Order Information

XX **X** **XX** **1** - **X** **XX** **1** **X** **X**

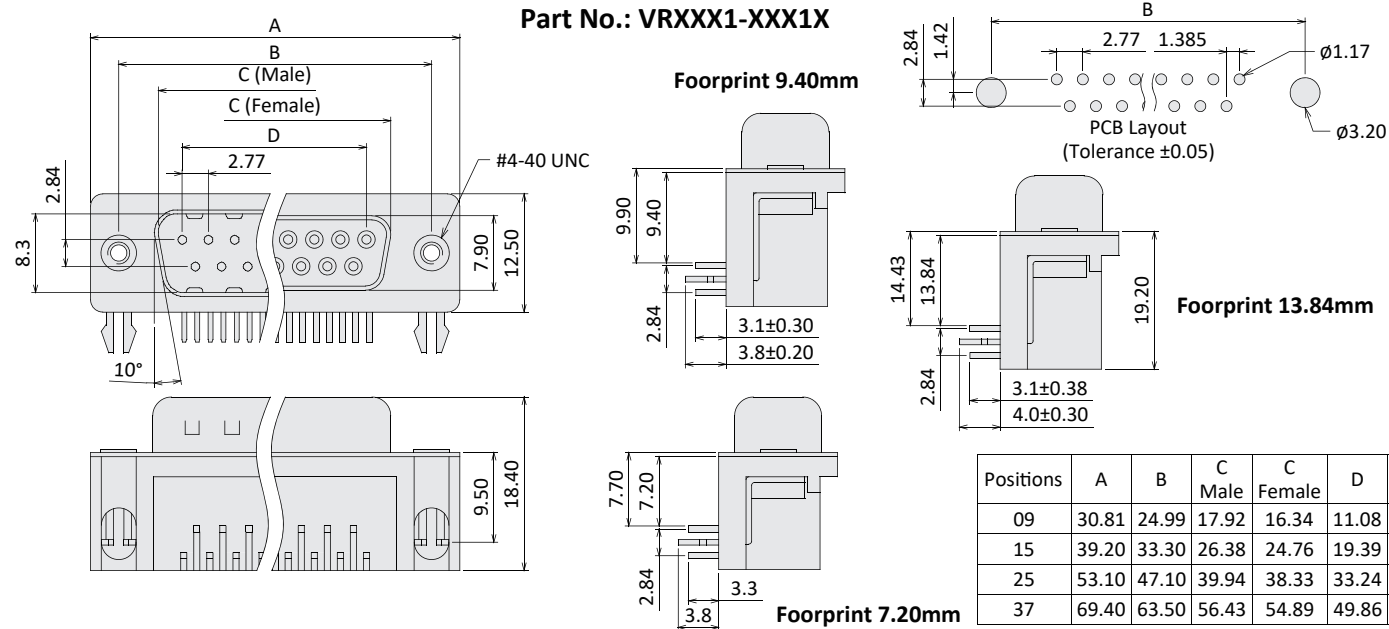
V: D-SUB VH: H.D D-SUB	G0: Gold Flash G1: Gold 3u" G2: Gold 5u" G3: Gold 10u" G4: Gold 15u" G5: Gold 30u"	S0: Selective Flash S1: Selective 3u" S2: Selective 5u" S3: Selective 10u" S4: Selective 15u" S5: Selective 30u"	1: RoHS + PBT	M: Male F: Female	No. of Contacts (09~62)	A: Non Accessories B: Front Rivet #4-40, Height=5.8 C: Front Rivet M3, Height=5.8 D: Rear Rivet #4-40, Height=5.8 E: Rear Rivet M3, Height=5.8	W: White Color B: Black Color
S: Solder Type					N: Nickel Shell T: Tin Shell		

D-SUB Connector

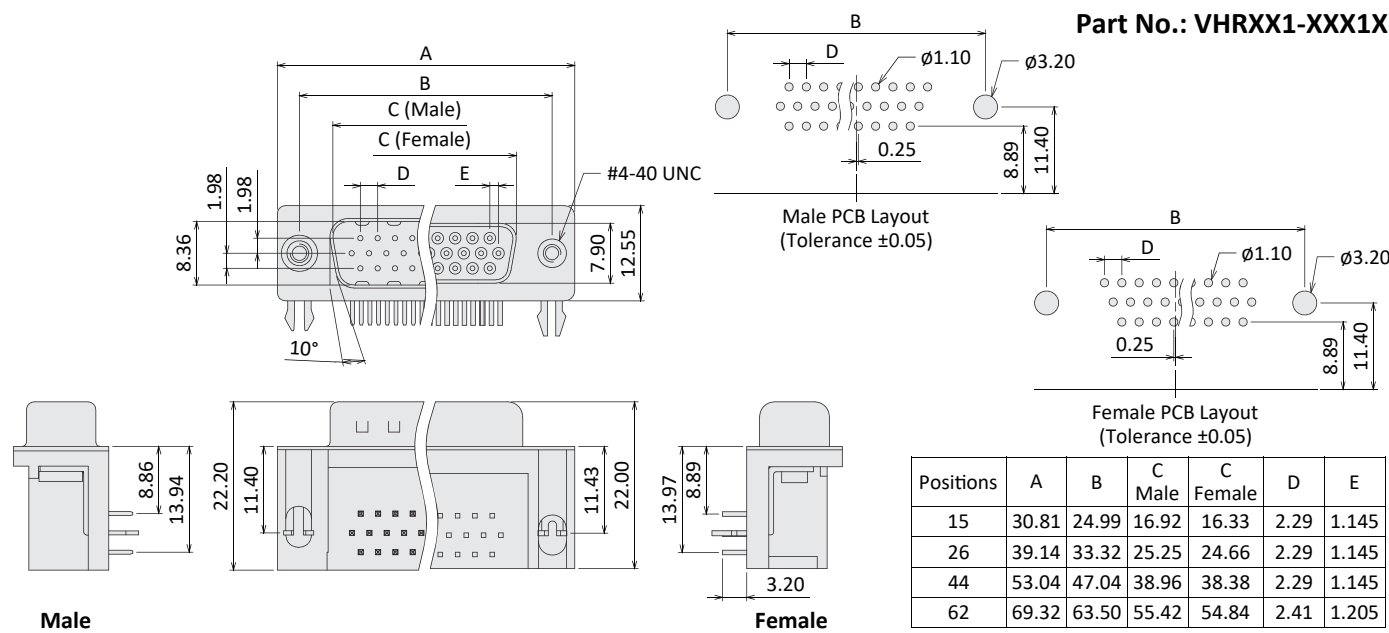
Current Rate: 3A AC,DC
 Dielectric Voltage: 500V AC for one minute
 Insulation Resistance: 1000MΩ Min.
 Contact Resistance: 13mΩ Max.
 Material Contact: Copper Alloy, Gold / Tin
 Material Shell: Steel, Nickel or Tin Plated
 Material Insulator: PBT, UL94V-0
 Operating Temperature: -55°C~+105°C



D-SUB Right Angle Type



D-SUB High Density Right Angle Type

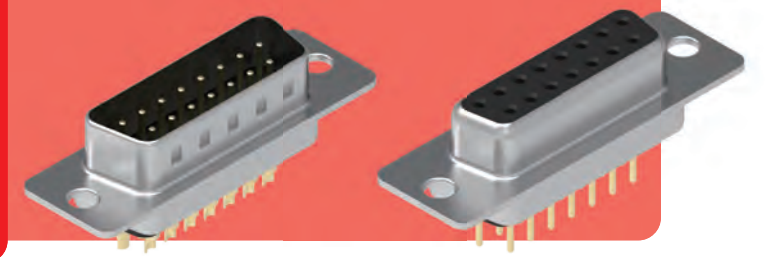


Order Information

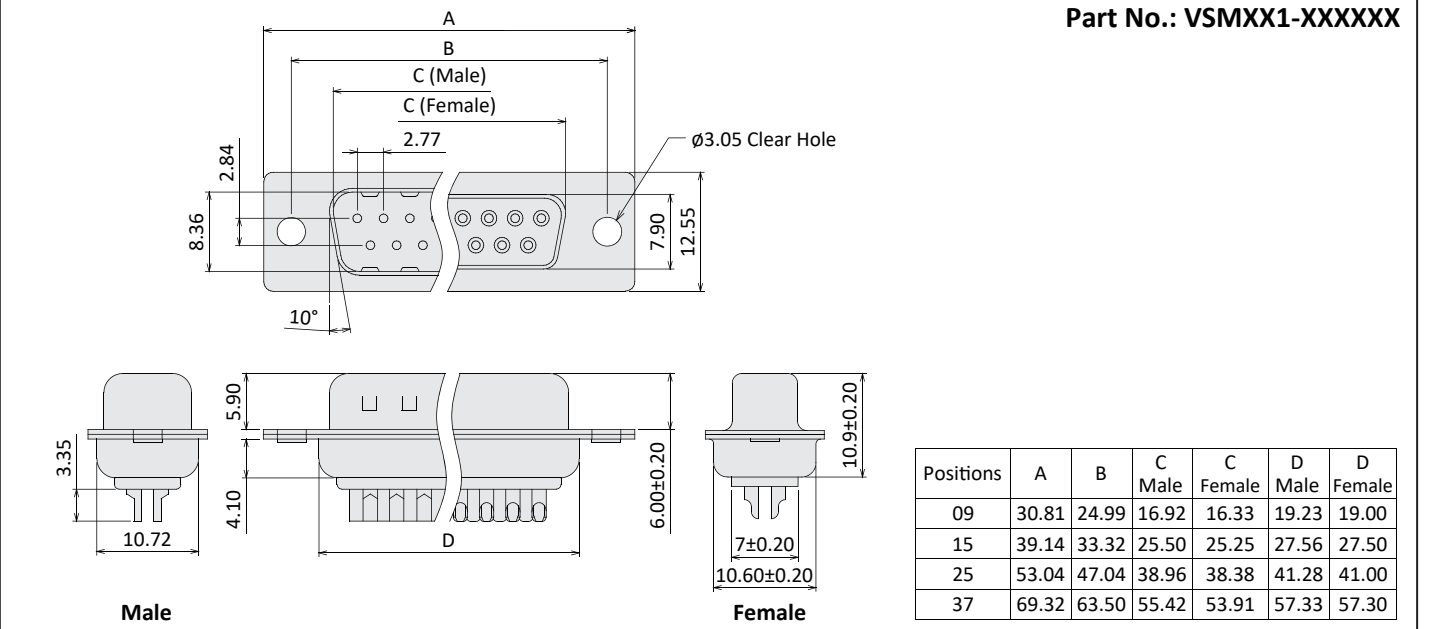
X	R	X	XX	1	-	X	XX	1	X
V: D-SUB VH: H.D D-SUB	R: Right Angle	G0: Gold Flash G1: Gold 3u" G2: Gold 5u" G3: Gold 10u" G4: Gold 15u" G5: Gold 30u"	S0: Selective Flash S1: Selective 3u" S2: Selective 5u" S3: Selective 10u" S4: Selective 15u" S5: Selective 30u"	1: RoHS + PBT		M: Male F: Female	No. of Contacts (09~62)	1: Fork Grounding	A: Non Accessories B: Rivet C: Rivet & Jack Screw Attached D: Rivet & Jack Screw Insert, Height=4.8 E: Front Rivet #4-40 + Jack Screw Insert, Height=4.8 F: Front Rivet M3 + Jack Screw, Height=4.8

D-SUB Connector

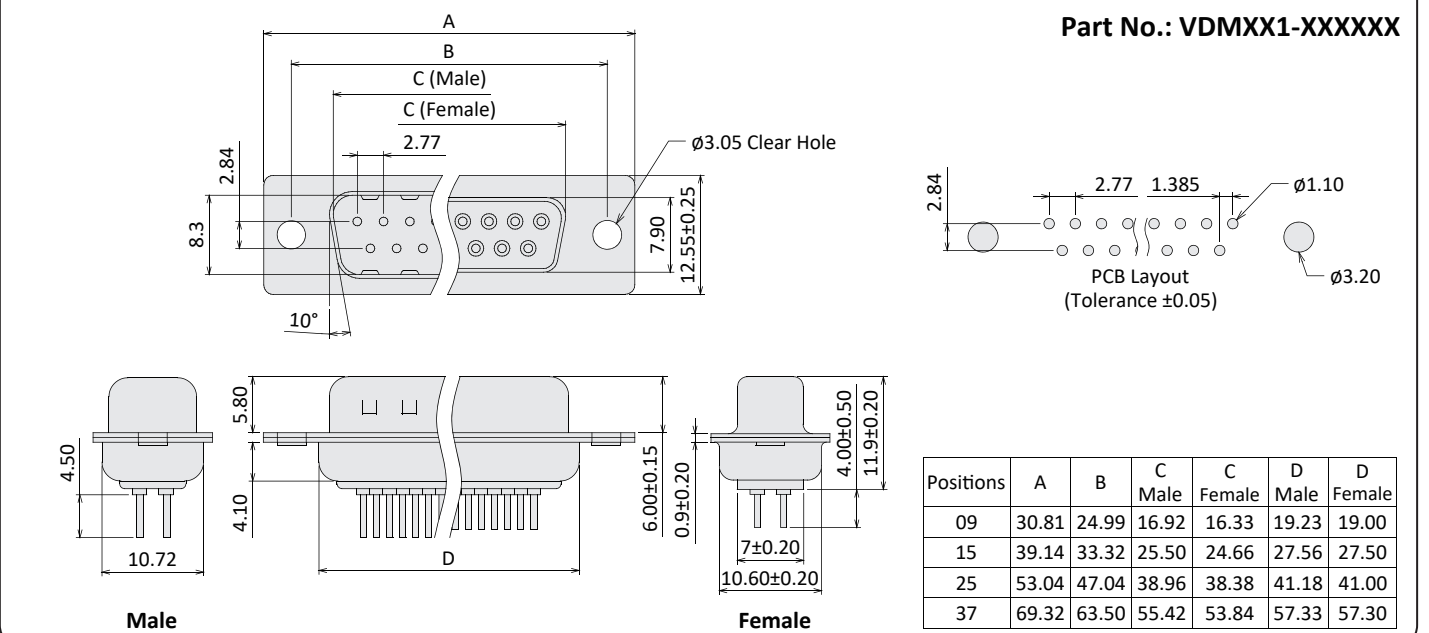
Current Rate: 3~5A AC,DC
 Dielectric Voltage: 500V AC for one minute
 Insulation Resistance: 1000MΩ Min.
 Contact Resistance: 30mΩ Max.
 Material Contact: Copper Alloy, Gold / Tin
 Material Shell: Steel, Nickel or Tin Plated
 Material Insulator: PBT, UL94V-0
 Operating Temperature: -55°C~+105°C



D-SUB Machine Pin Solder Type



D-SUB Machine Pin DIP Type



Order Information

V	X	XX	1	-	X	XX	X	X	X
SM: Machine Pin Solder Type DM: Machine Pin DIP Type	G0: Gold Flash G1: Gold 3u" G2: Gold 5u" G3: Gold 10u" G4: Gold 15u" G5: Gold 30u"	S0: Selective Flash S1: Selective 3u" S2: Selective 5u" S3: Selective 10u" S4: Selective 15u" S5: Selective 30u"	1: RoHS + PBT		M: Male F: Female	No. of Contacts (09~37)	N: Nickel Shell T: Tin Shell	A: Non Accessories B: Front Rivet #4-40 C: Front Rivet M3 D: Rear Rivet #4-40 E: Rear Rivet M3	W: White Color B: Black Color

I/O Connector

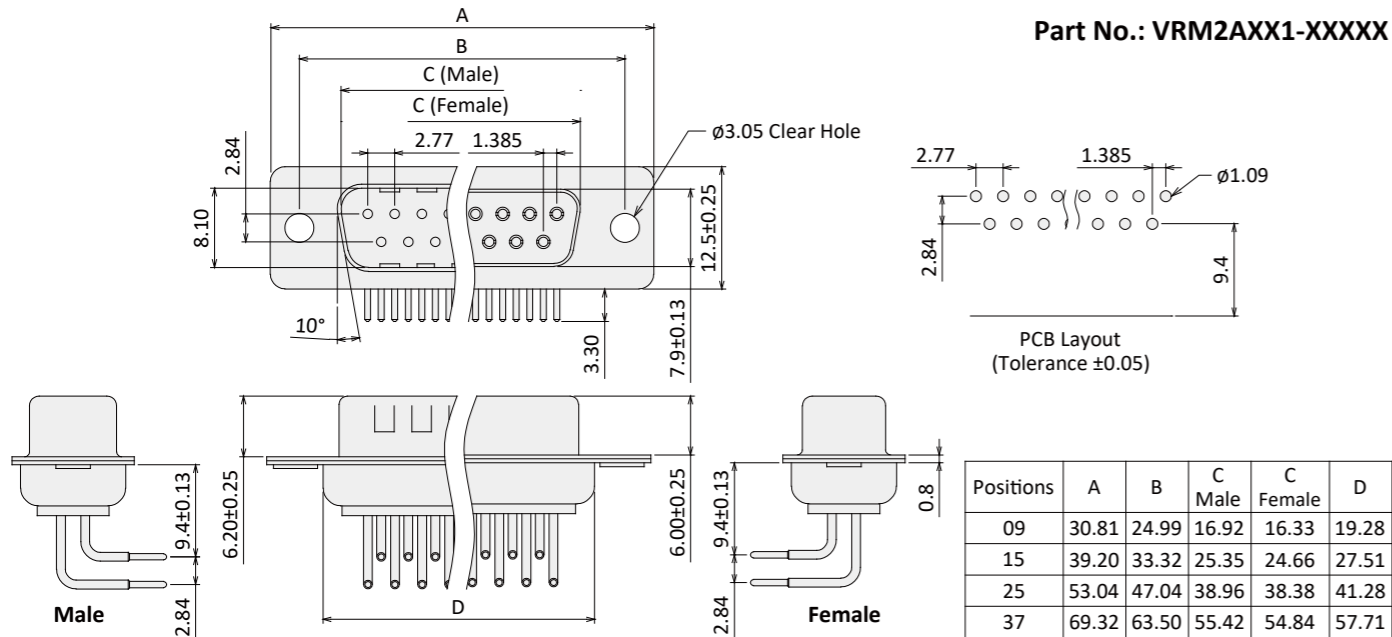
I/O Connector

D-SUB Connector

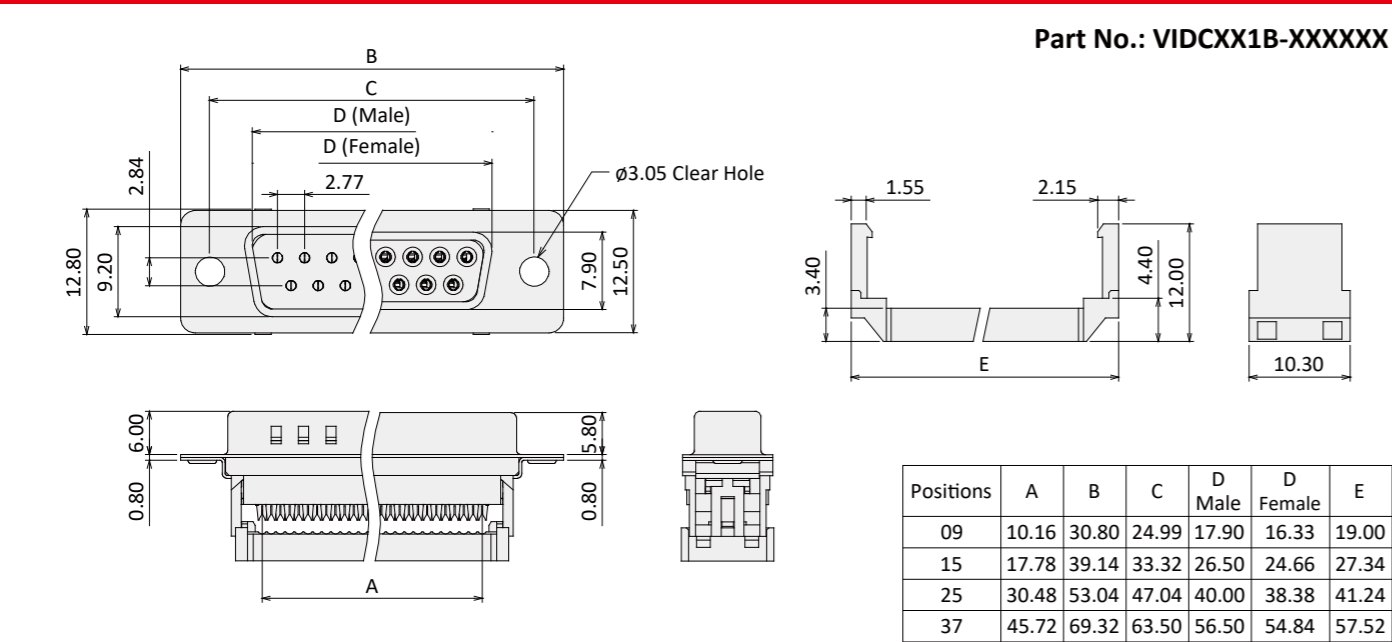
Current Rate: 5A AC,DC
 Dielectric Voltage: 500V AC for one minute
 Insulation Resistance: 1000MΩ Min.
 Contact Resistance: 30mΩ Max.
 Material Contact: Copper Alloy, Gold / Tin
 Material Shell: Steel, Nickel Plated
 Material Insulator: PBT, UL94V-0
 Operating Temperature: -55°C~+105°C



D-SUB Machine Pin Right Angle Type



D-SUB IDC Type



Order Information

V X XX 1 B - X XX X X X

RM2A: Machine Pin R/A Type
 IDC: IDC Type

G0: Gold Flash
 G1: Gold 3u"
 G2: Gold 5u"
 G3: Gold 10u"
 G4: Gold 15u"
 G5: Gold 30u"

S0: Selective Flash
 S1: Selective 3u"
 S2: Selective 5u"
 S3: Selective 10u"
 S4: Selective 15u"
 S5: Selective 30u"

B: W/O Insulator Support
 M: Male
 F: Female

No. of Contacts (09~37)

A: Non Accessories
 B: Rivet #4-40 Screw
 C: Rivet M3 Screw
 0: Ø3.05 Clear Hole
 1: #4-40 Threaded Hole
 2: M3 Threaded Hole

W: White Color
 B: Black Color

1: RoHS + PBT
 ▲ Support & SR for IDC only

1: Metal SR
 2: Plastic SR
 3: W/O SR

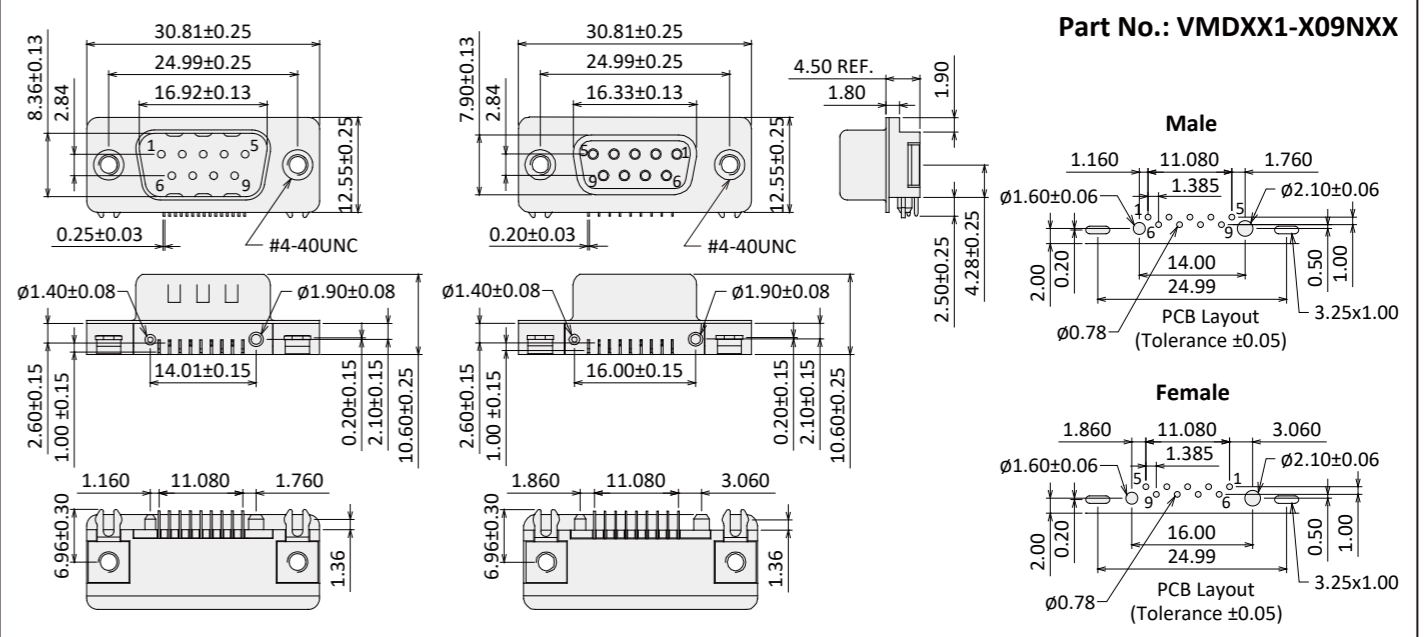
▲ A~C Option for VR2A
 0~2 Option for VIDC

D-SUB Connector

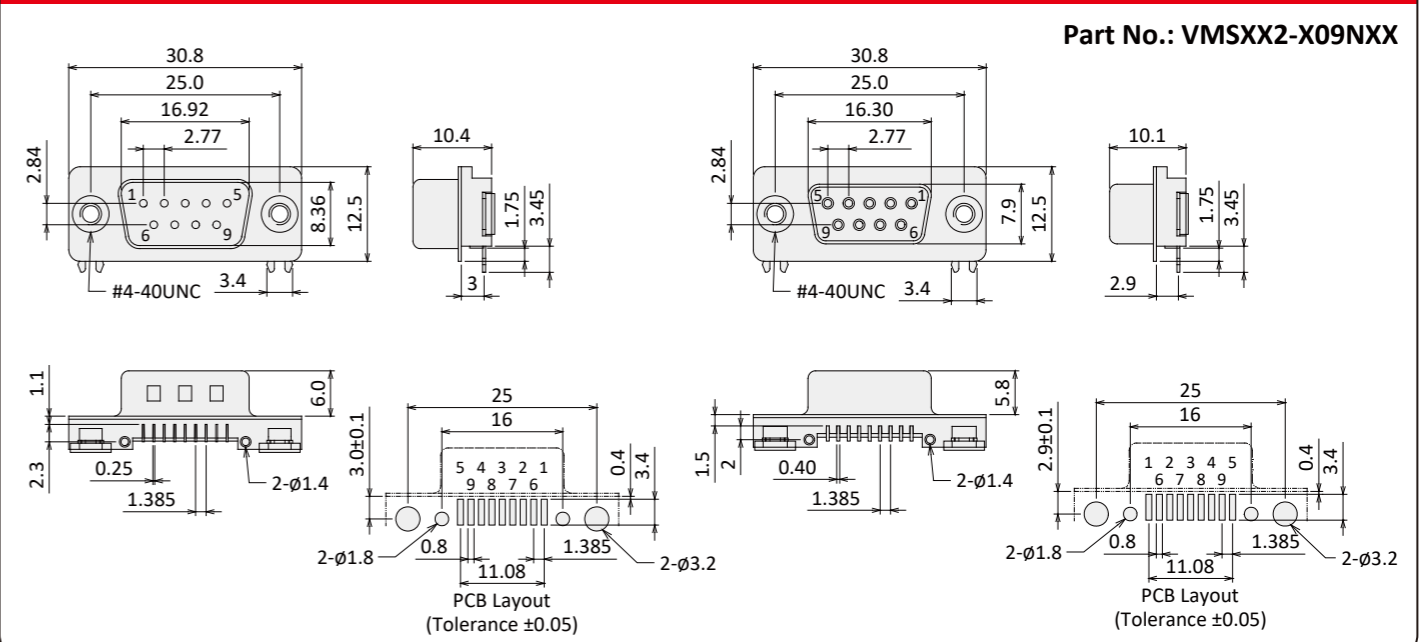
Current Rate: 3~5A AC,DC
 Dielectric Voltage: 500V AC for one minute
 Insulation Resistance: 1000MΩ Min.
 Contact Resistance: 25mΩ Max.
 Material Contact: Copper Alloy, Gold / Tin
 Material Shell: Steel, Nickel Plated
 Material Insulator: PBT or NY6T, UL94V-0
 Operating Temperature: -55°C~+105°C



D-SUB Slim DIP Type



D-SUB Slim SMT Type



Order Information

V XX XX X - X 09 N X X

MD: Slim DIP
 MS: Slim SMT

G0: Gold Flash
 G1: Gold 3u"
 G2: Gold 5u"
 G3: Gold 10u"
 G4: Gold 15u"
 G5: Gold 30u"

S0: Selective Flash
 S1: Selective 3u"
 S2: Selective 5u"
 S3: Selective 10u"
 S4: Selective 15u"
 S5: Selective 30u"

1: RoHS + PBT
 2: RoHS + NY6T

M: Male
 F: Female

No. of Contacts

N: Nickel Shell

A: Rivet #4-40 Thread
 B: Rivet, Jack Screw Attached
 C: Rivet, Jack Screw Inserted

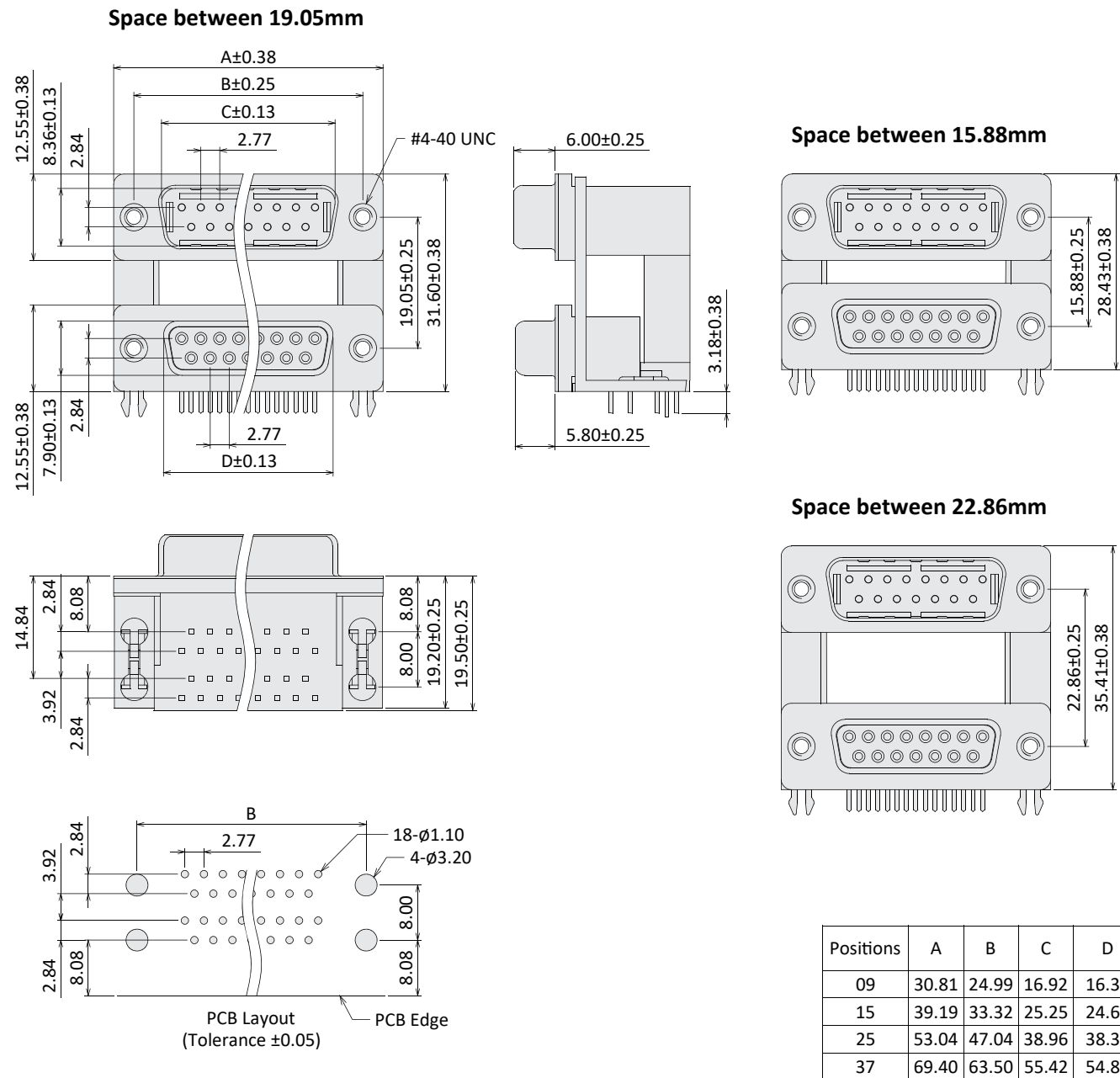
U: Blue Color
 B: Black Color

D-SUB Connector

Current Rate: 3A AC,DC
 Dielectric Voltage: 1000V AC for one minute
 Insulation Resistance: 5000MΩ Min.
 Contact Resistance: 25mΩ Max.
 Material Contact: Copper Alloy, Gold / Tin
 Material Shell: SPCC, Nickel Plated
 Material Insulator: PBT, UL94V-0
 Operating Temperature: -55°C~+85°C

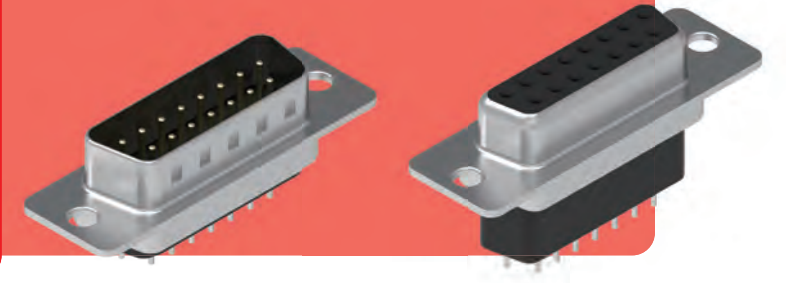


D-SUB Right Angle Type Dual Port

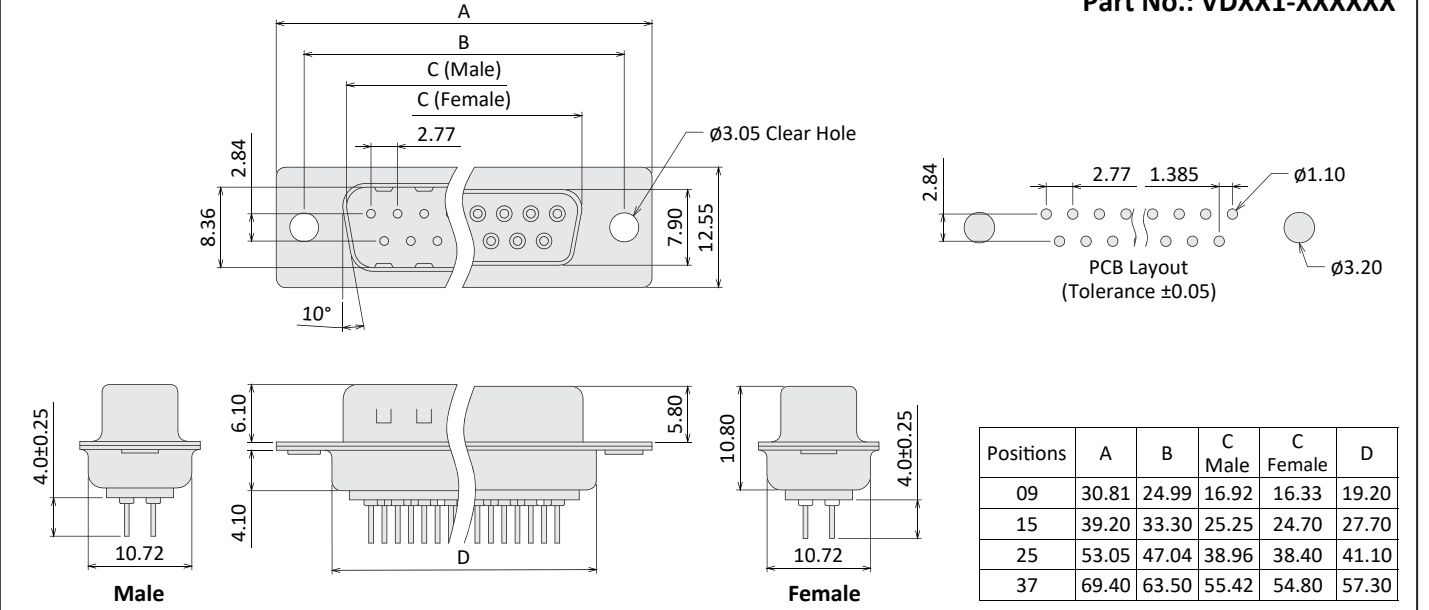


D-SUB Connector

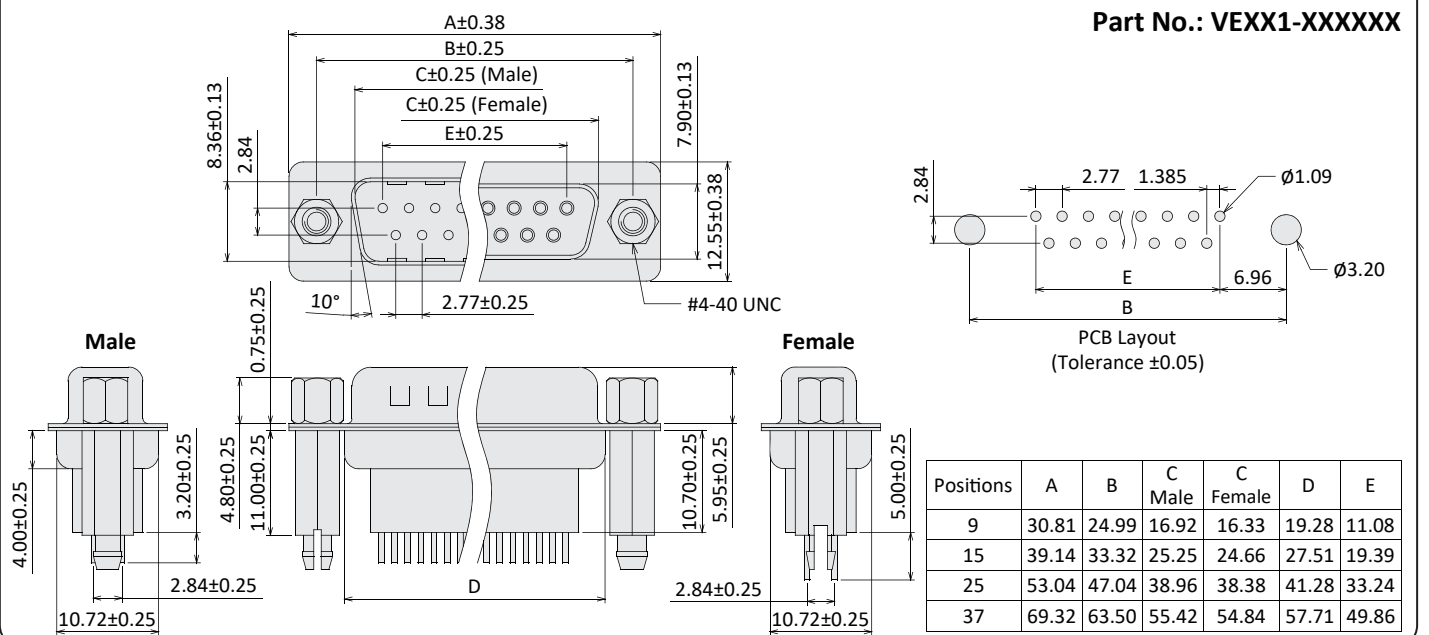
Current Rate: 3A AC,DC
 Dielectric Voltage: 500V AC for one minute
 Insulation Resistance: 1000MΩ Min.
 Contact Resistance: 30mΩ Max.
 Material Contact: Copper Alloy, Gold / Tin
 Material Shell: Steel, Nickel or Tin Plated
 Material Insulator: PBT, UL94V-0
 Operating Temperature: -55°C~+105°C



D-SUB DIP Type



D-SUB Elevated DIP Type



Order Information

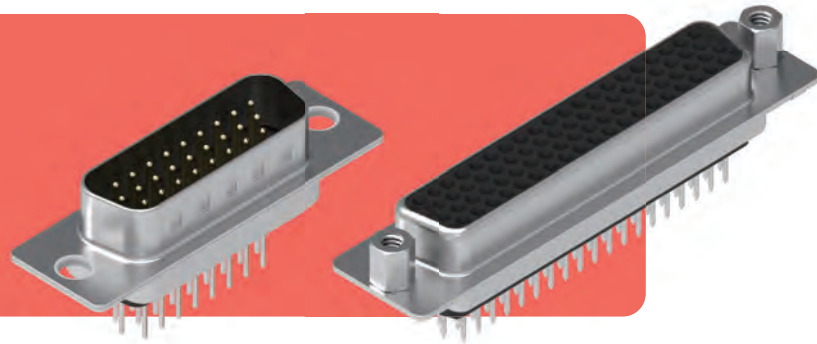
V	R	X	SO	1	-	M	XX	F	XX	X	X
R: Right Angle	Space between A: 15.88 mm B: 19.05 mm C: 22.86 mm	S0: Selective Flash	1: RoHS + PBT	Upper Conn. Male	No. of Contacts (09~37)	Lower Conn. Female	No. of Contacts (09~37)	0: None A: Quad Boardlock 8.08x8.0 C: Quad Boardlock 9.5x7.0 F: Dual Boardlock 8.08x8.0 H: Dual Boardlock 9.5x7.0	1: #4-40 Threaded Hole 2: M3 Threaded Hole 3: 3.05mm Clear Hole 4: #4-40 Threaded Screw Install 5: #4-40 Threaded Screw Attached 6: M3 Threaded Screw Install 7: M3 Threaded Screw Attached		

Order Information

V	X	XX	1	-	X	XX	X	X	X
D: DIP Type E: Elevated DIP	G0: Gold Flash G1: Gold 3u" G2: Gold 5u" G3: Gold 10u" G4: Gold 15u" G5: Gold 30u"	S0: Selective Flash S1: Selective 3u" S2: Selective 5u" S3: Selective 10u" S4: Selective 15u" S5: Selective 30u"	1: RoHS + PBT	M: Male F: Female	No. of Contacts (09~62)	N: Nickel Shell T: Tin Shell	A: Non Accessories B: Front Rivet #4-40 C: Front Rivet M3 D: Rear Rivet #4-40 E: Rear Rivet M3 F: Rear Rivet Boardlock G: Rear Rivet Boardlock+Screw Install	W: White Color B: Black Color	

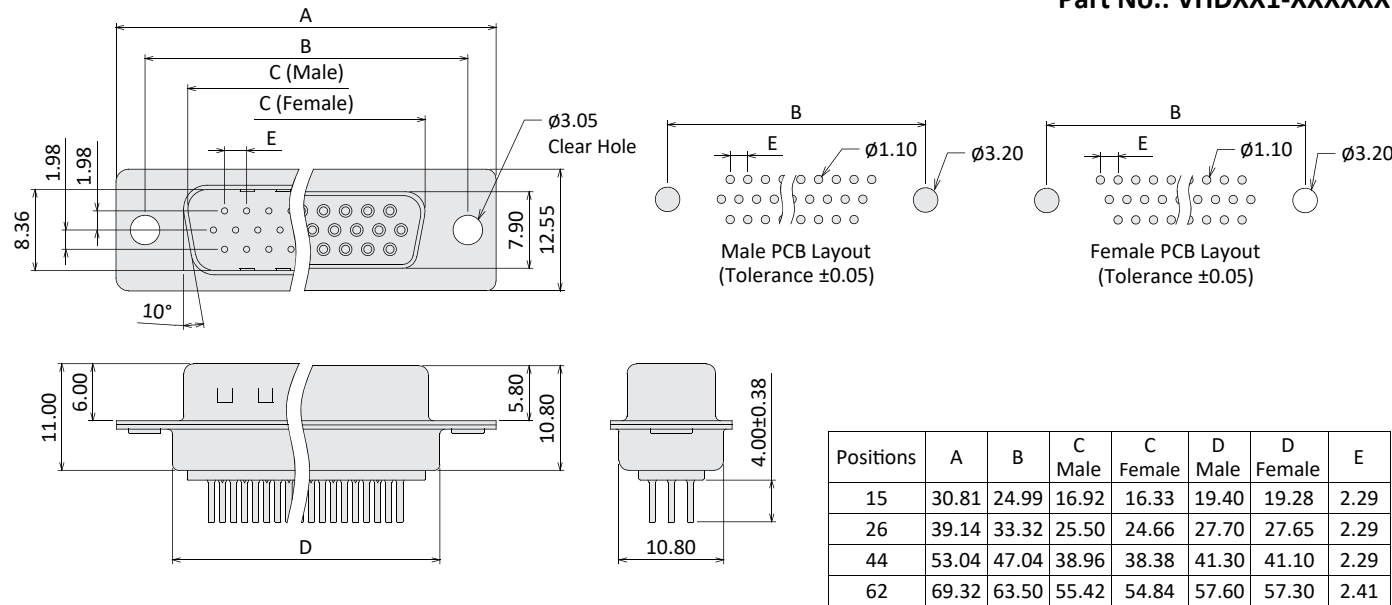
D-SUB Connector

Current Rate: 3A AC,DC
 Dielectric Voltage: 500V AC for one minute
 Insulation Resistance: 1000MΩ Min.
 Contact Resistance: 20mΩ Max.
 Material Contact: Copper Alloy, Gold / Tin
 Material Shell: Steel, Nickel or Tin Plated
 Material Insulator: PBT, UL94V-0
 Operating Temperature: -55°C~+105°C



D-SUB High Density DIP Type

Part No.: VHDXX1-XXXXXX



D-SUB Connector

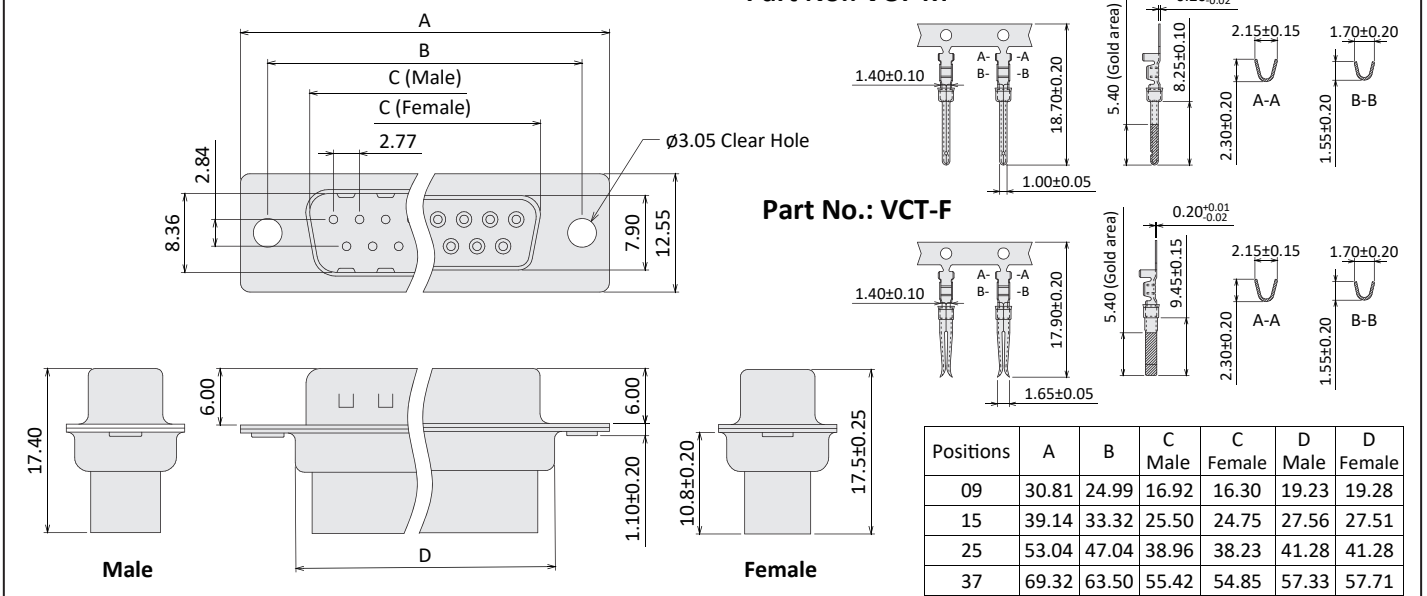
Current Rate: 3A AC,DC
 Dielectric Voltage: 500V AC for one minute
 Insulation Resistance: 1000MΩ Min.
 Contact Resistance: 20mΩ Max.
 Material Contact: Copper Alloy, Gold / Tin
 Material Shell: Steel, Nickel or Tin Plated
 Material Insulator: PBT, UL94V-0
 Operating Temperature: -55°C~+105°C



D-SUB Crimp Type

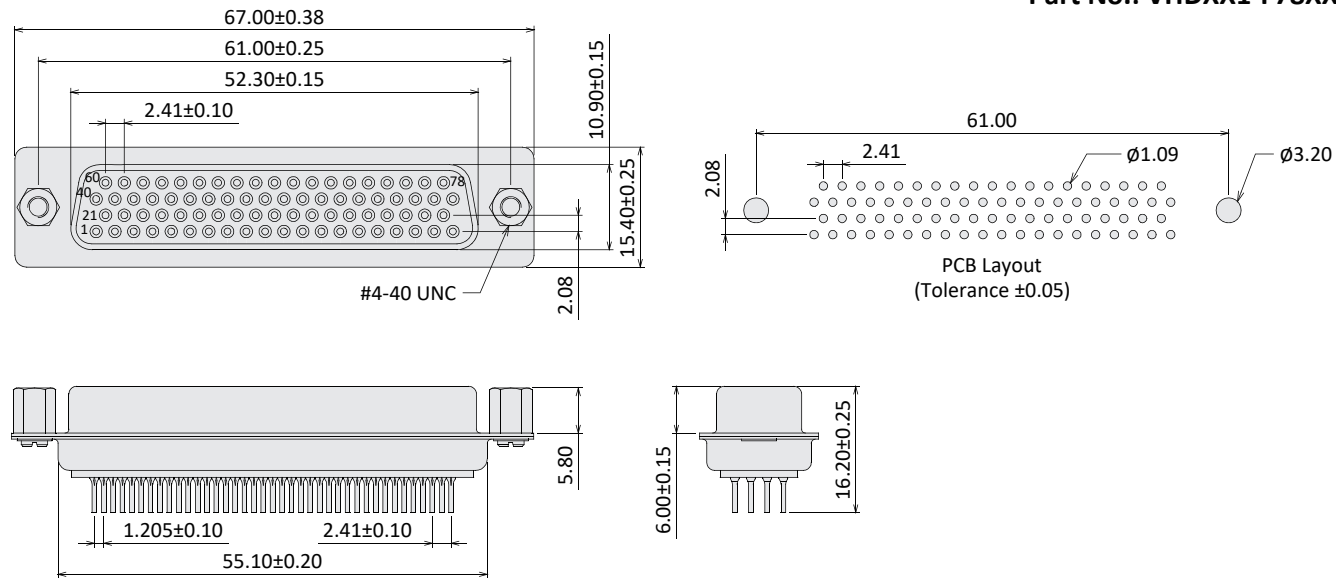
Part No.: VCXX1-XXXXXX

Part No.: VCT-M



D-SUB High Density DIP Type Female 78P

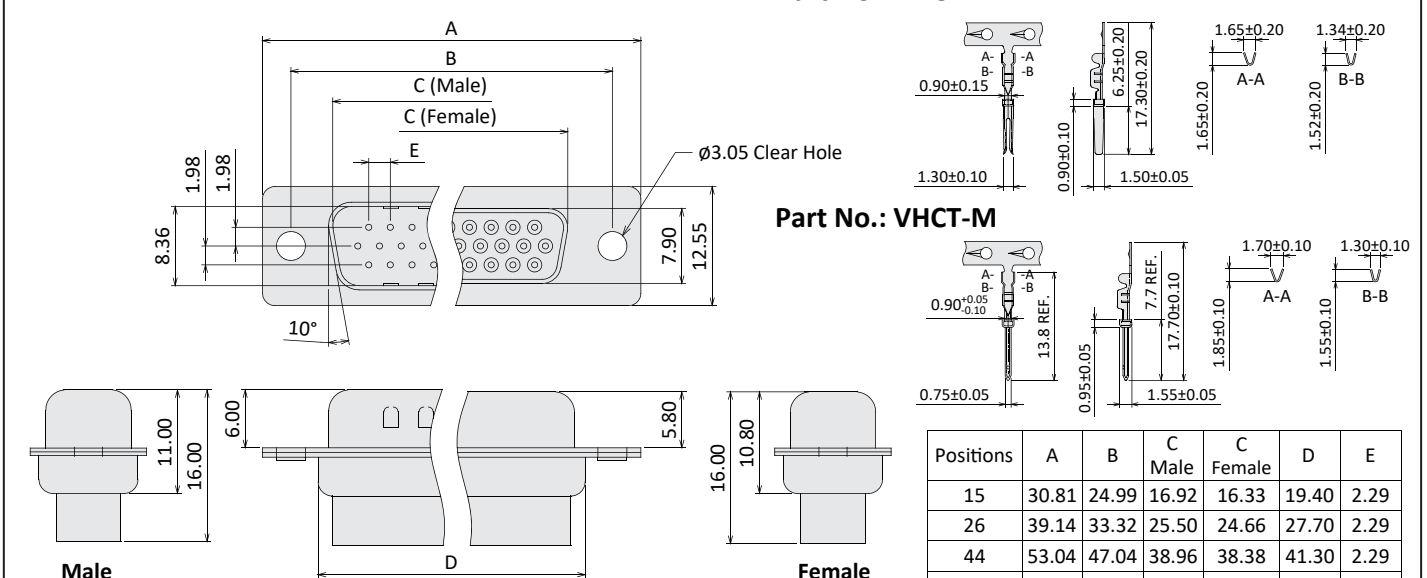
Part No.: VHDXX1-F78XXX



D-SUB High Density Crimp Type

Part No.: VHCXX1-XXXXXX

Part No.: VHCT-F



Order Information

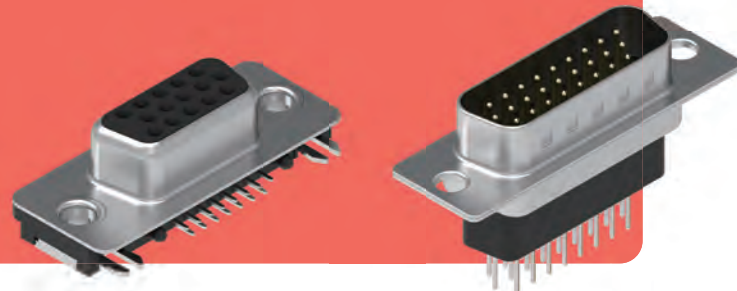
VH	D	XX	1	-	X	XX	X	X	X
D: DIP Type	G0: Gold Flash G1: Gold 3u" G2: Gold 5u" G3: Gold 10u" G4: Gold 15u" G5: Gold 30u"	S0: Selective Flash S1: Selective 3u" S2: Selective 5u" S3: Selective 10u" S4: Selective 15u" S5: Selective 30u"	1: RoHS + PBT	M: Male F: Female	No. of Contacts (15~78)	N: Nickel Shell T: Tin Shell	A: Non Accessories B: Front Rivet #4-40 C: Front Rivet M3 D: Rear Rivet #4-40 E: Rear Rivet M3 F: Rear Rivet Boardlack G: Rear Rivet Boardlack+Screw Insert	W: White Color B: Black Color	

Order Information

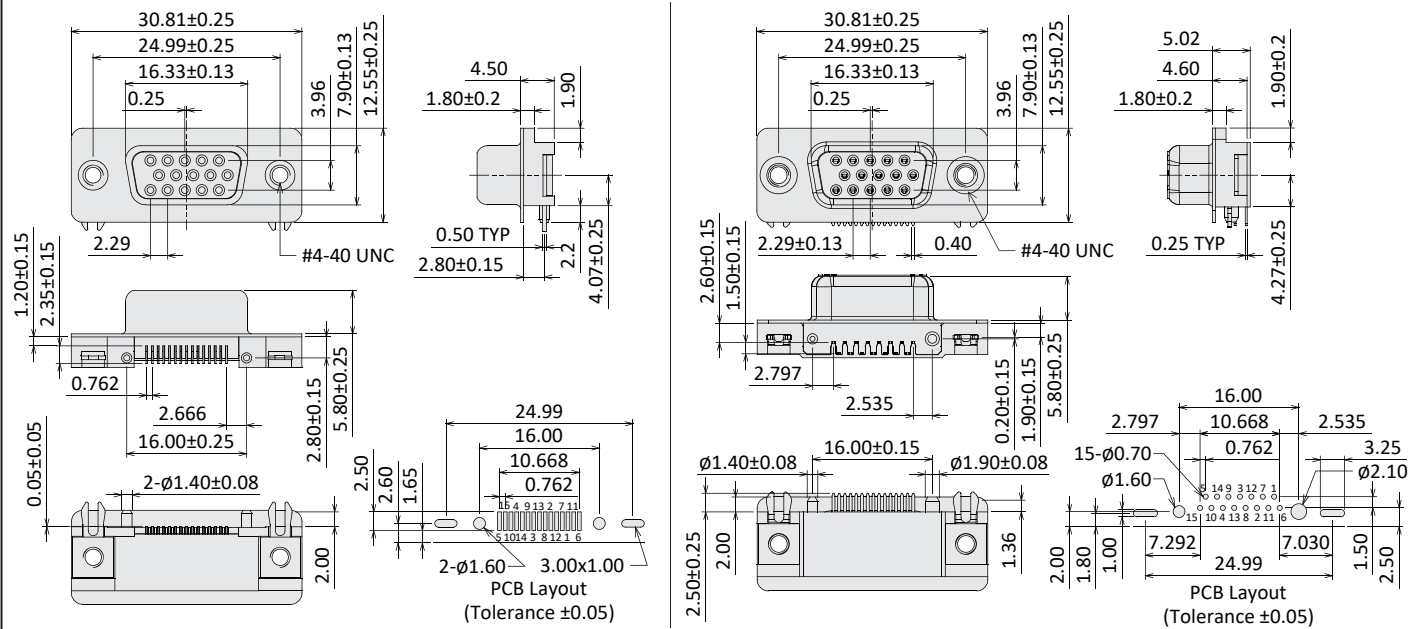
X	C	XX	1	-	X	XX	X	X	X
V: D-SUB VH: H.D D-SUB C: Crimp Type	G0: Gold Flash G1: Gold 3u" G2: Gold 5u" G3: Gold 10u" G4: Gold 15u" G5: Gold 30u"	S0: Selective Flash S1: Selective 3u" S2: Selective 5u" S3: Selective 10u" S4: Selective 15u" S5: Selective 30u"	1: RoHS + PBT	M: Male F: Female	No. of Contacts (09~62)	N: Nickel Shell T: Tin Shell	A: Non Accessories B: Front Rivet #4-40 C: Front Rivet M3 D: Rear Rivet #4-40 E: Rear Rivet M3	W: White Color B: Black Color	

D-SUB Connector

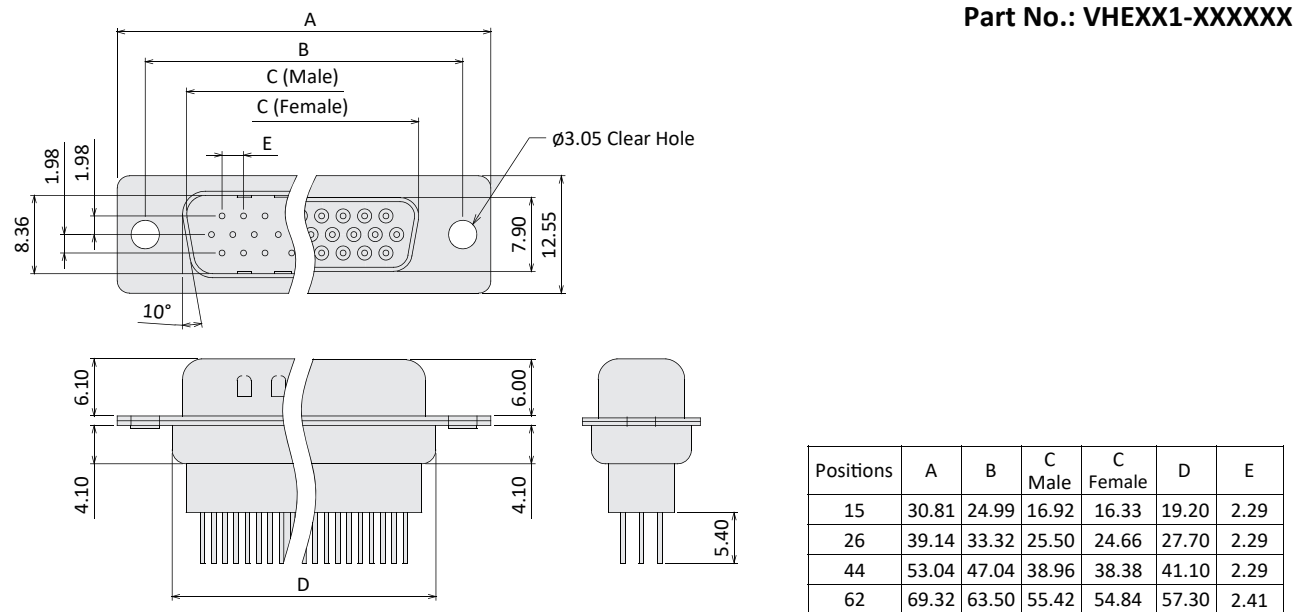
Current Rate: 3A AC,DC
 Dielectric Voltage: 500V AC for one minute
 Insulation Resistance: 1000MΩ Min.
 Contact Resistance: 25mΩ Max.
 Material Contact: Copper Alloy, Gold / Tin
 Material Shell: Steel, Nickel or Tin Plated
 Material Insulator: NY9T or PBT, UL94V-0
 Operating Temperature: -55°C~+105°C



D-SUB High Density Slim SMT / DIP Type



D-SUB High Density Elevated DIP Type



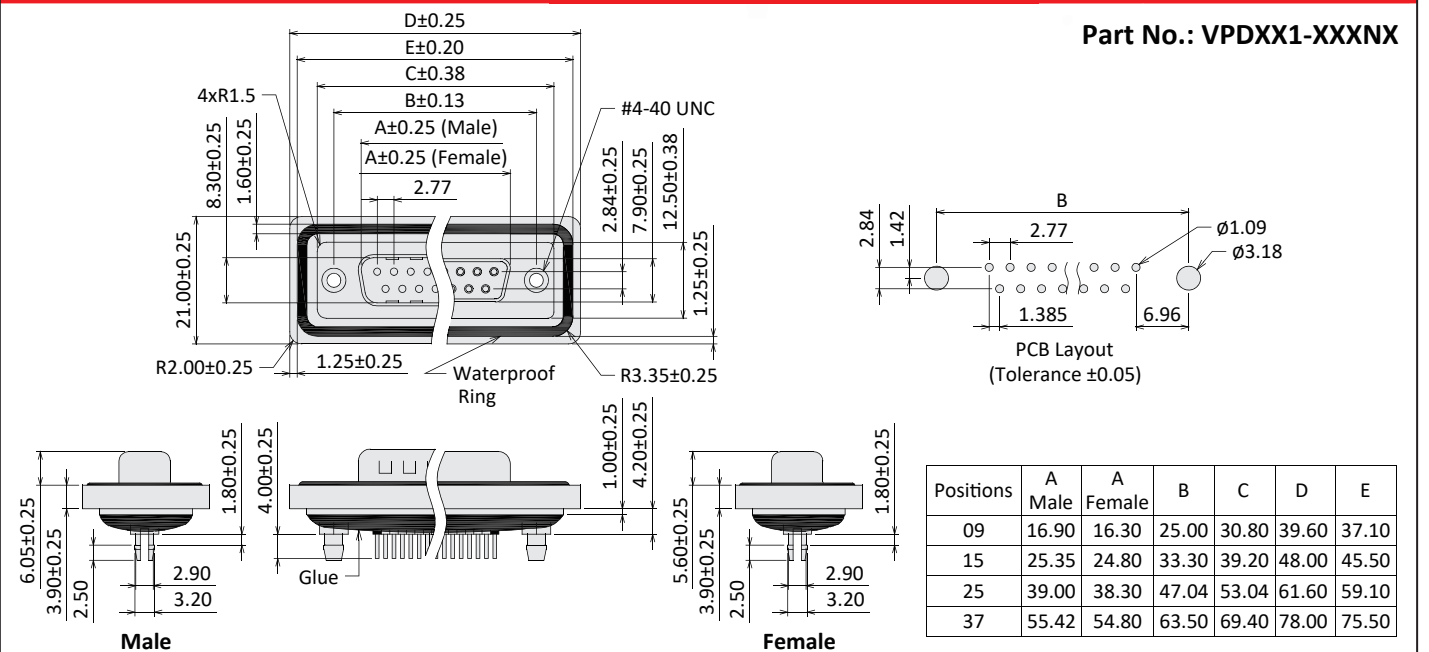
Positions	A	B	C Male	C Female	D	E
15	30.81	24.99	16.92	16.33	19.20	2.29
26	39.14	33.32	25.50	24.66	27.70	2.29
44	53.04	47.04	38.96	38.38	41.10	2.29
62	69.32	63.50	55.42	54.84	57.30	2.41

D-SUB Connector

Current Rate: 5A AC,DC
 Dielectric Voltage: 1000V AC for one minute
 Insulation Resistance: 5000MΩ Min.
 Contact Resistance: 30mΩ Max.
 Material Contact: Copper Alloy, Gold / Tin
 Material Shell: Steel, Nickel Plated
 Material Insulator: PBT, UL94V-0
 Operating Temperature: -55°C~+105°C

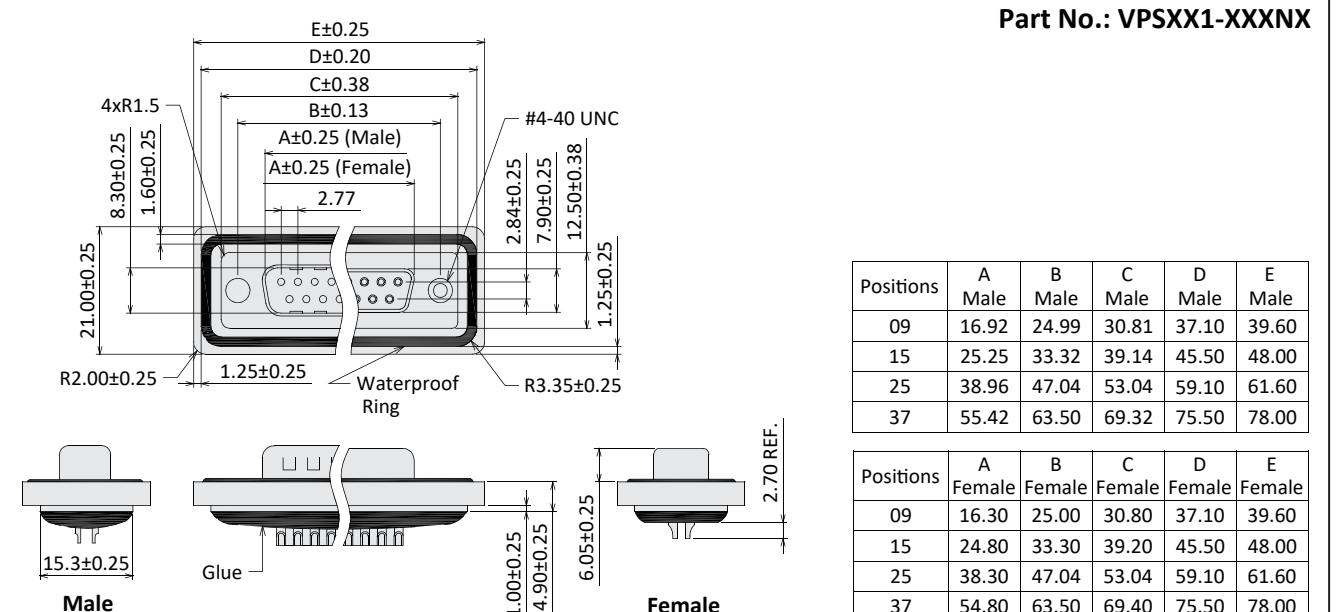


D-SUB Waterproof DIP Type



Positions	A Male	A Female	B	C	D	E
09	16.90	16.30	25.00	30.80	39.60	37.10
15	25.35	24.80	33.30	39.20	48.00	45.50
25	39.00	38.30	47.04	53.04	61.60	59.10
37	55.42	54.80	63.50	69.40	78.00	75.50

D-SUB Waterproof Solder Type



Positions	A Male	B Male	C Male	D Male	E Male
09	16.92	24.99	30.81	37.10	39.60
15	25.25	33.32	39.14	45.50	48.00
25	38.96	47.04	53.04	59.10	61.60
37	55.42	63.50	69.32	75.50	78.00

Positions	A Female	B Female	C Female	D Female	E Female
09	16.30	25.00	30.80	37.10	39.60
15	24.80	33.30	39.20	45.50	48.00
25	38.30	47.04	53.04	59.10	61.60
37	54.80	63.50	69.40	75.50	78.00

Order Information

VH XX XX X - X XX N X X

MS: Slim SMT
 MD: Slim DIP
 E: Elevated DIP

G0: Gold Flash
 G1: Gold 3u"
 G2: Gold 5u"
 G3: Gold 10u"
 G4: Gold 15u"
 G5: Gold 30u"

S0: Selective Flash
 S1: Selective 3u"
 S2: Selective 5u"
 S3: Selective 10u"
 S4: Selective 15u"
 S5: Selective 30u"

1: RoHS + PBT
 7: RoHS + NY9T (NY 9T for SMT)

M: Male
 F: Female

No. of Contacts (15~62)

N: Nickel Shell
 T: Tin Shell

A: Rivet
 B: Rivet, Jack Screw Attached
 C: Rivet, Jack Screw Inserted (For VHMS / VHMD)

A: Non Accessories
 B: Front Rivet #4-40
 C: Front Rivet M3 (For VHE)

U: Blue Color
 W: White Color
 B: Black Color

Order Information

V XX XX 1 - X XX N X

PD: DIP Type
 PS: Solder Type

G0: Gold Flash
 G4: Gold 15u"
 G5: Gold 30u"

1: RoHS + PBT

M: Male
 F: Female

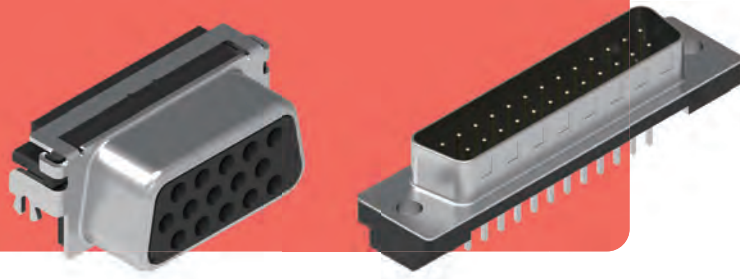
No. of Contacts (09~37)

N: Nickel Shell

A: #4-40 Threaded Hole
 B: #4-40 Threaded Hole with #4-40 Screw Inserted
 C: Rear Rivet Boardlock
 C: Rivet Boardlock with #4-40 Screw Inserted

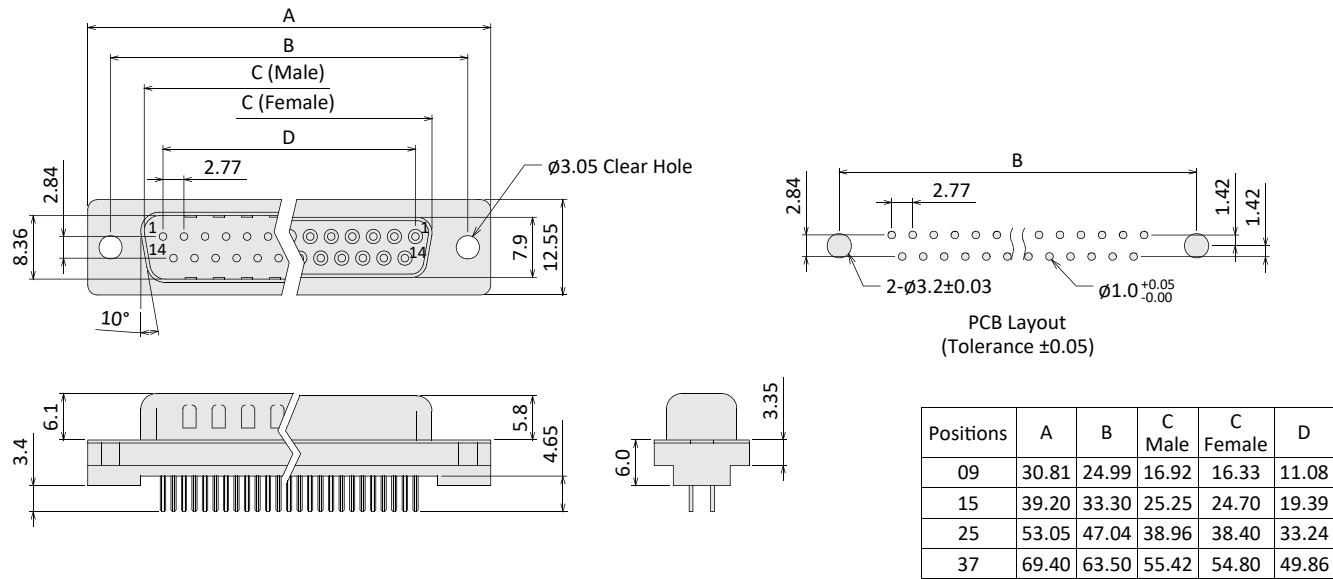
D-SUB Connector

Current Rate: 2.5~3A AC,DC
 Dielectric Voltage: 1000V AC for one minute
 Insulation Resistance: 1000MΩ Min.
 Contact Resistance: 20mΩ Max.
 Material Contact: Copper Alloy, Gold / Tin
 Material Shell: Steel, Tin Plated
 Material Insulator: PBT or NY9T, UL94V-0
 Operating Temperature: -55°C~+105°C



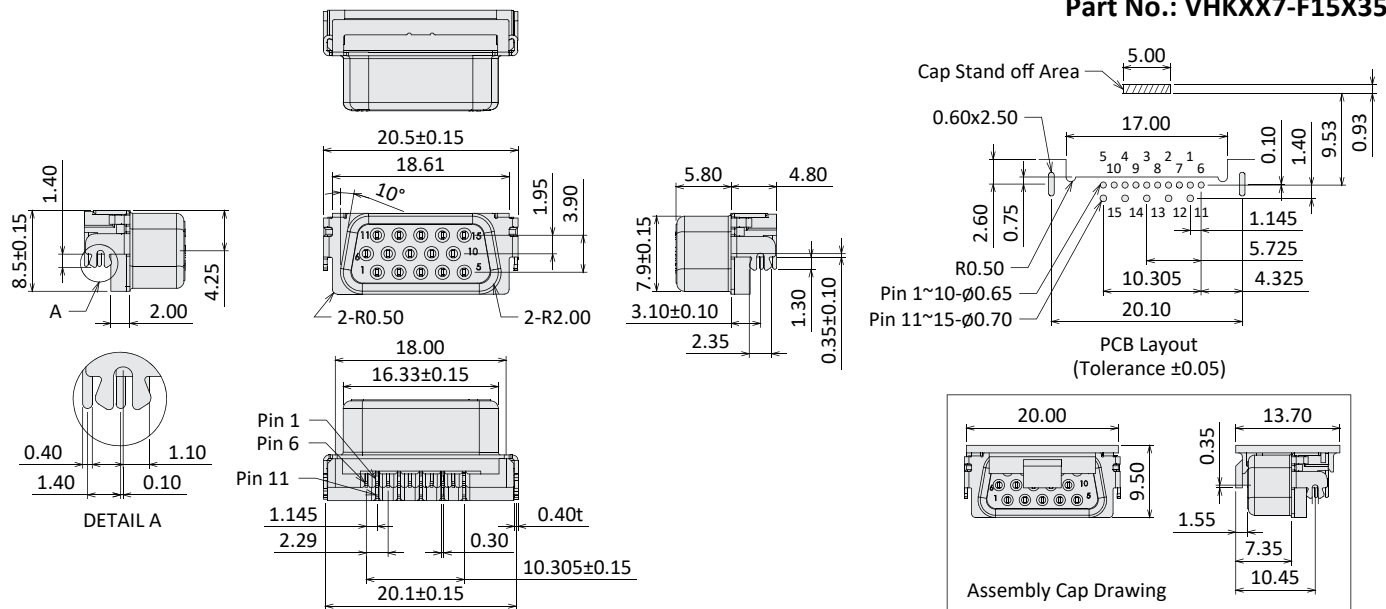
D-SUB Low Profile DIP Type

Part No.: VWDXX1-XXXTX



D-SUB High Density Sink Type

Part No.: VHKXX7-F15X35



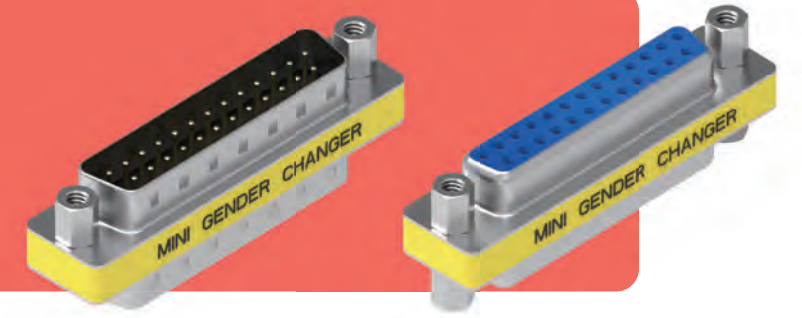
Order Information

XXX	XX	X	-	X	XX	T	X	X	35
VWD: Low Profile VHK: H.D. Sink	S0: Selective Flash S1: Selective 3u" S2: Selective 5u" S3: Selective 10u" S4: Selective 15u" S5: Selective 30u"	1: RoHS + PBT 7: RoHS + NY9T		M: Male F: Female	No. of Contacts (09~37)	T: Tin Shell	A: φ3.05mm Clear Hole B: Rivet #4-40 Threaded Hole C: Rivet #4-40+Boardlock D: #4-40 Screws+Boardlock (Only for VWD)	R: Cap+Reed Y: Cap+Tray	▲ Packing & 35 For VHK only

▲ Tin Shell & Accessories For VWD only

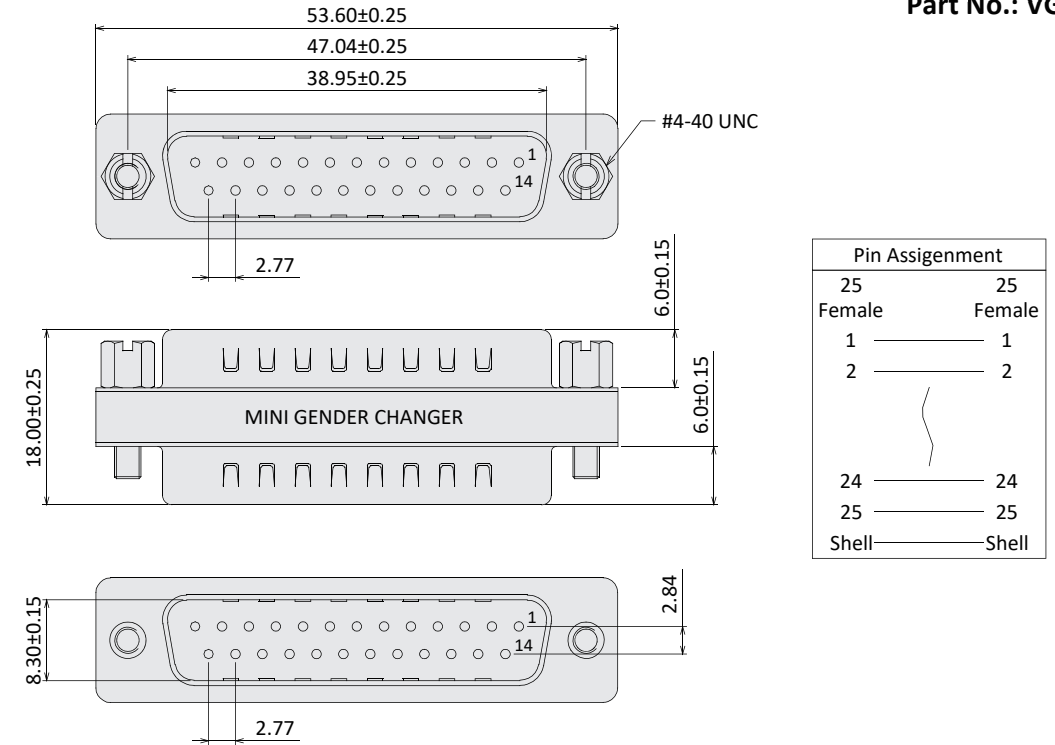
D-SUB Connector

Current Rate: 1A
 Dielectric Voltage: 500V AC for one minute
 Insulation Resistance: 1000MΩ Min.
 Material Contact: Copper Alloy, Gold Plated
 Material Shell: SPCC, Nickel Plated
 Material Screw: 12L14, Nickel Plated
 Material Insulator: PBT, UL94V-0
 Operating Temperature: -40°C~+85°C



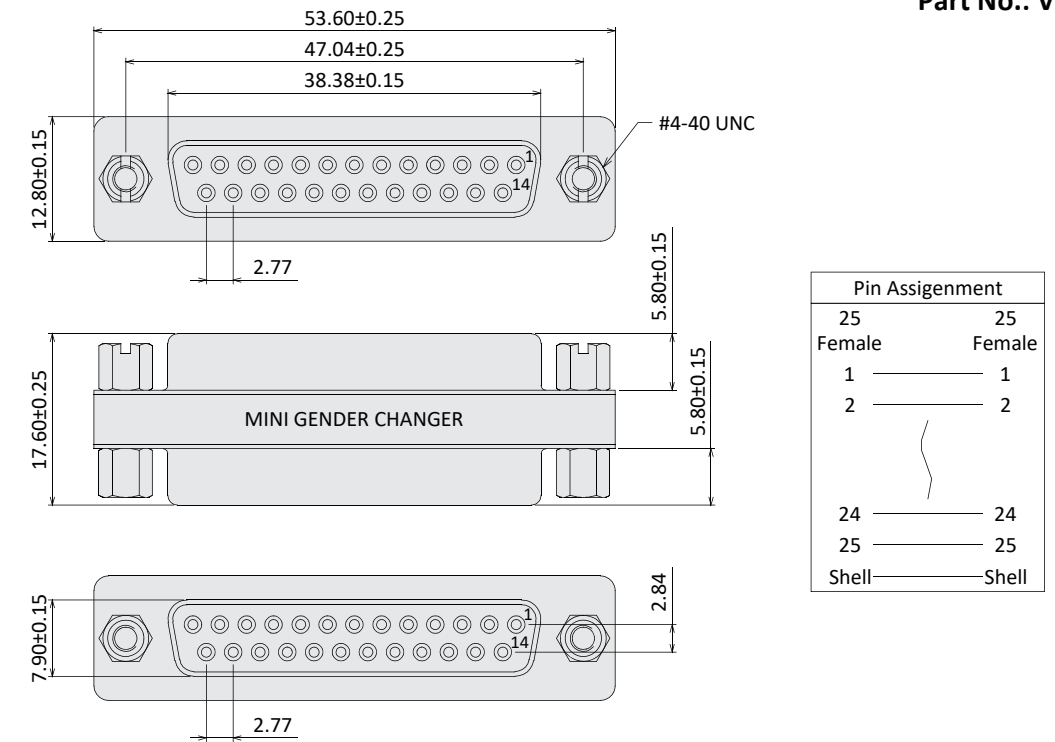
D-SUB Mini Gender Changer Male 25P

Part No.: VGCG01-M25B



D-SUB Mini Gender Changer Male 25P

Part No.: VGCG01-F25A

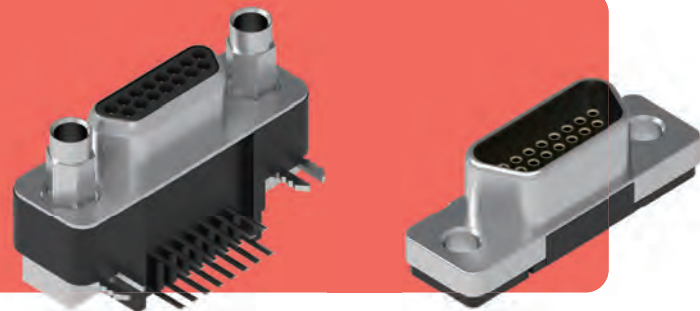


I/O Connector

I/O Connector

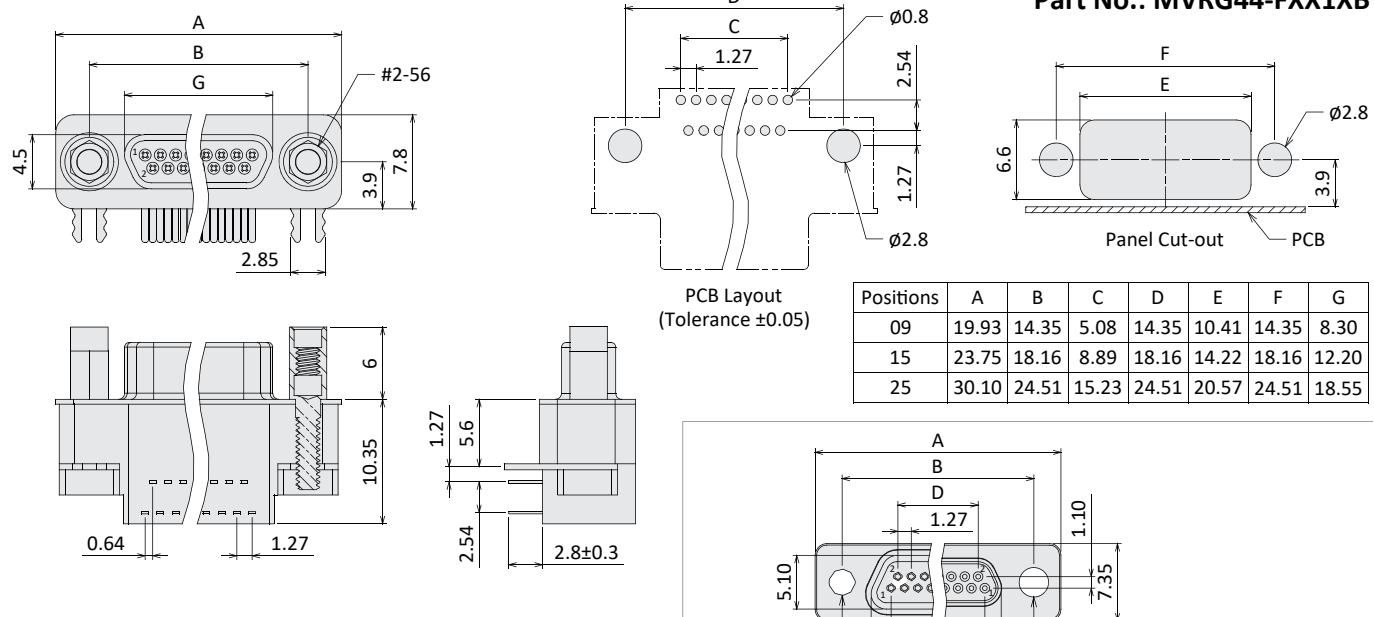
Micro D-SUB Connector

Current Rate: 0.7~1A AC,DC
 Voltage Rate: 350V AC,DC
 Dielectric Voltage: 630V AC for one minute
 Insulation Resistance: 1000MΩ Min.
 Contact Resistance: 30mΩ Max.
 Material Contact: Copper Alloy, Gold Plated
 Material Shell: SPCC / Zn Alloy, Nickel Plated
 Material Insulator: LCP / PBT, UL94V-0
 Operating Temperature: -40°C~+125°C

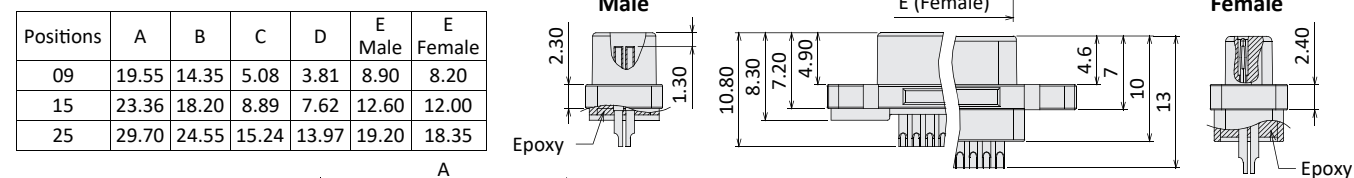


Micro D-SUB Right Angle DIP Type & Solder Type

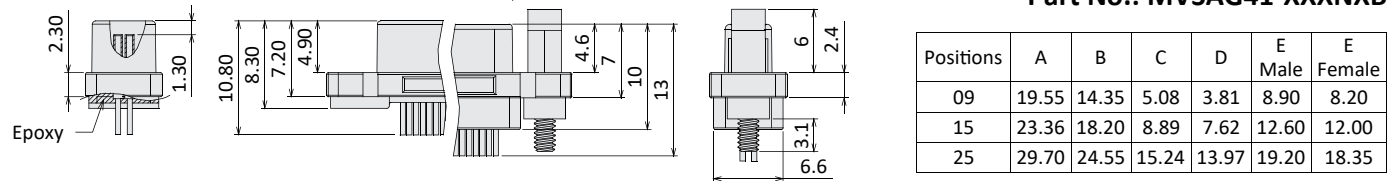
Part No.: MVRG44-FXX1XB



Part No.: MVSG41-XXXNXB



Part No.: MVSAG41-XXXNXB



Order Information

MV X G4 X - X XX X X B

R: R/A Type
 S: Solder Type
 SA: Solder Type

G4: Gold 15u"

1: RoHS + PBT
 4: RoHS + LCP

M: Male
 F: Female

No. of Contacts (09~25)

1: Fork Grounding
 N: Nickel Shell

A: Non Accessories
 B: Front Rivet #2-56, H=6.0mm
 C: Rivet #2-56 Thread

B: Black Color

▲ Fork Grounding for R/A Type
 A: Male Type only option
 C: Only for R/A Type