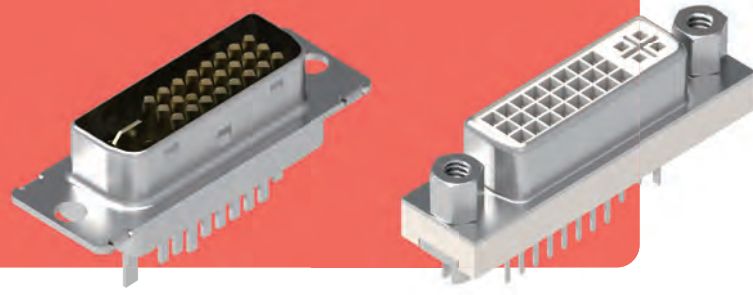


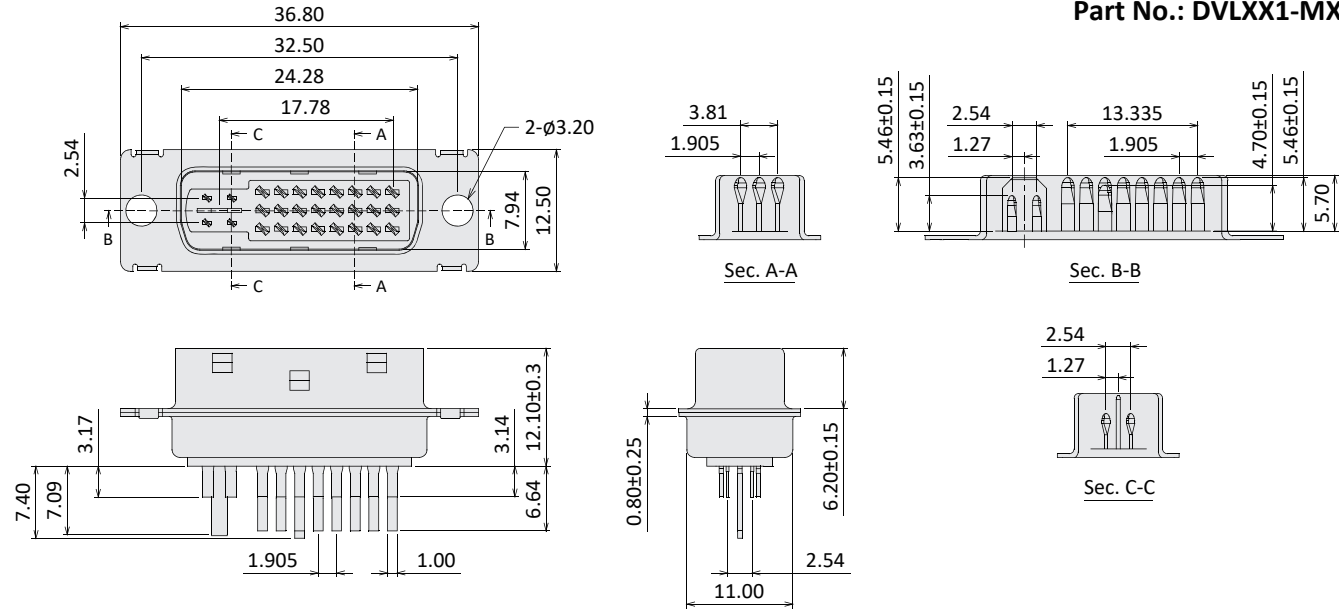
DVI Connector

Current Rate: 1.5A
 Voltage Rate: 40V DC
 Dielectric Voltage: 500V AC for one minut.
 Insulation Resistance: 100MΩ Min.
 Contact Resistance: 20mΩ Max.
 Material Contact: Copper Alloy, Gold Plate
 Material Shell: SPCC, Nickel Plated
 Material Insulator: PBT or NY 66, UL94V-0
 Operating Temperature: -55°C~+85°C



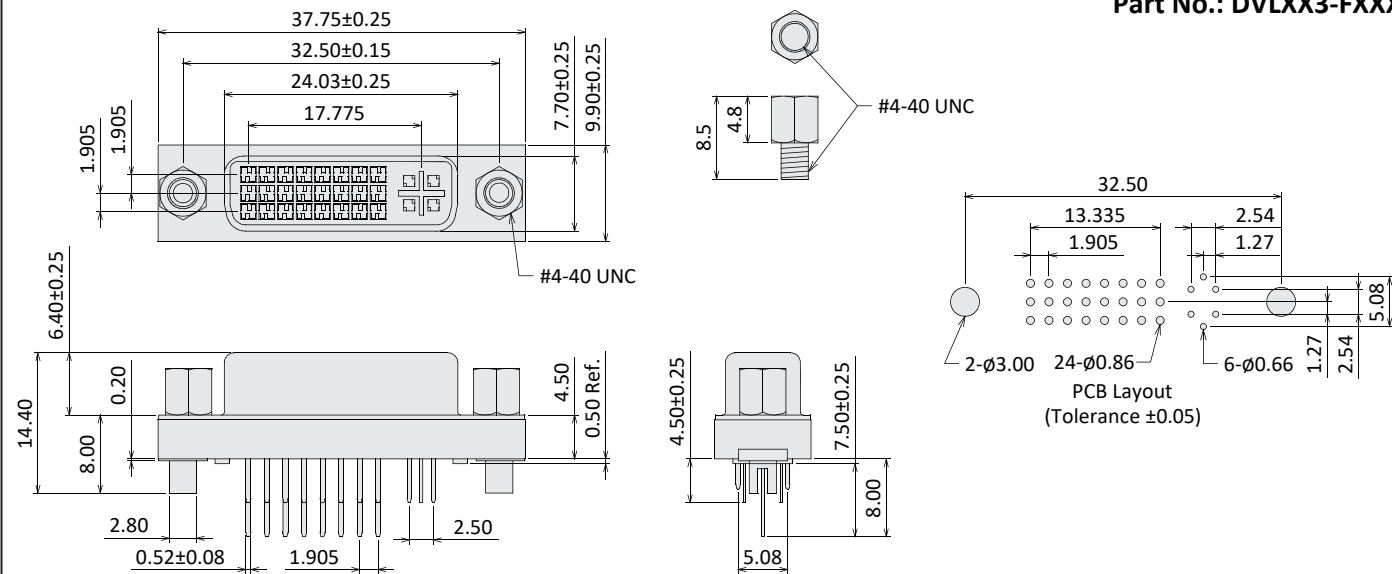
DVI Male Straight Type 24 & 29P

Part No.: DVLXX1-MXXX



DVI Female Straight Type 24 & 29P

Part No.: DVLXX3-FXXX

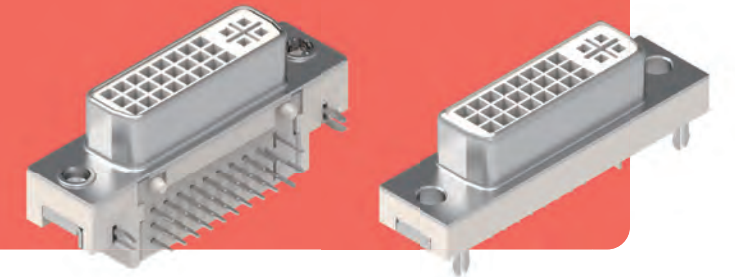


Order Information

DV	L	XX	X	-	X	XX	X
L: Straight	S0: Selective Flash S1: Selective 3u" S2: Selective 5u" S3: Selective 10u" S4: Selective 15u" S5: Selective 30u"	1: RoHS + PBT 3: RoHS + NY66	M: Male F: Female	No. of Contacts (24, 29)	1: With Screw 2: W/O Screw 3: Attached Screw		

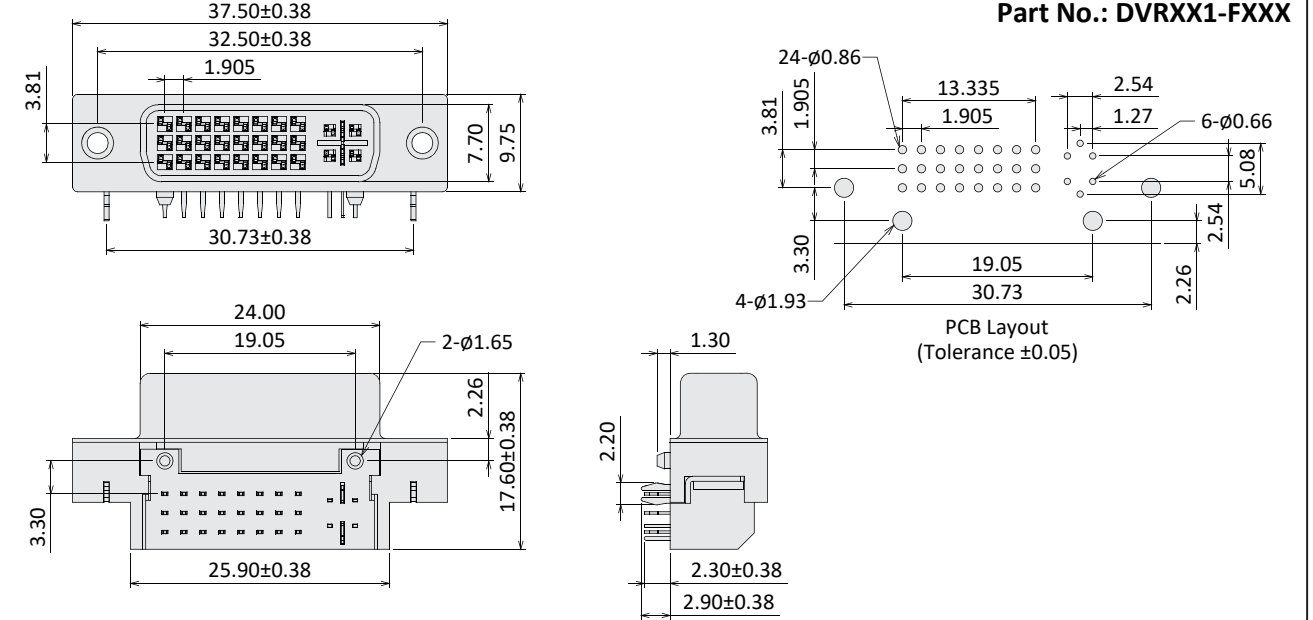
DVI Connector

Current Rate: 1.5A DC
 Voltage Rate: 40V DC
 Dielectric Voltage: 500V AC for one minute
 Insulation Resistance: 1000MΩ Min.
 Contact Resistance: 20mΩ Max.
 Material Contact: Copper Alloy, Gold / Tin
 Material Shell: SPCC, Nickel Plated
 Material Insulator: PBT or NY66, UL94V-0
 Operating Temperature: -55°C~+85°C



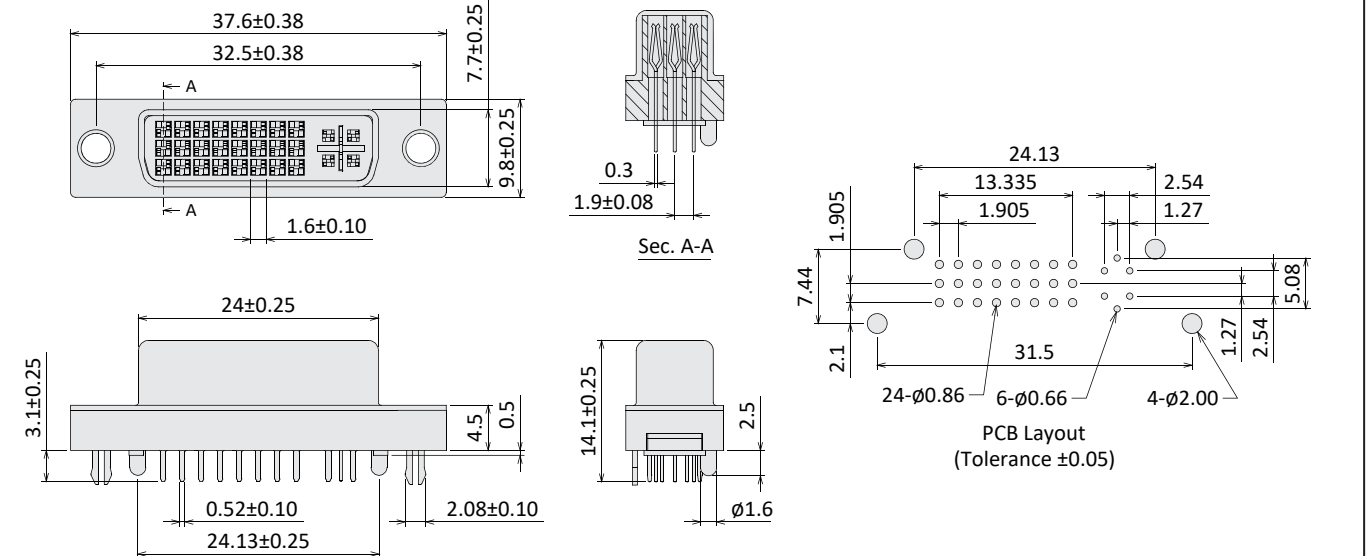
DVI Female Right Angle Type 24 & 29P

Part No.: DVRXX1-FXXX



DVI Female Straight Type 24 & 29P

Part No.: DVDAXX3-FXXX



Order Information

DV	XX	XX	X	-	F	XX	X
R: Right Angle DA: DIP	S0: Selective Flash S1: Selective 3u" S2: Selective 5u" S3: Selective 10u" S4: Selective 15u" S5: Selective 30u"	1: RoHS + PBT 3: RoHS + NY66	F: Female	No. of Contacts (24, 29)	1: With Screw 2: W/O Screw 3: Attached Screw		