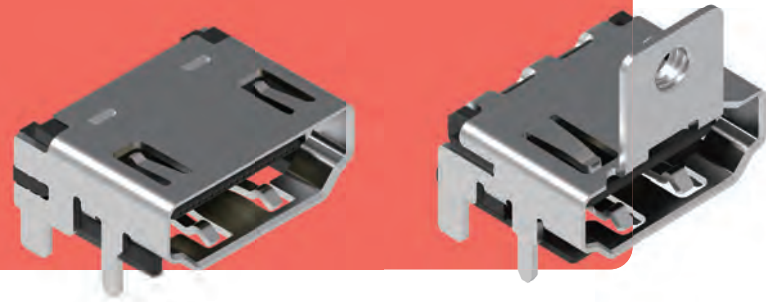
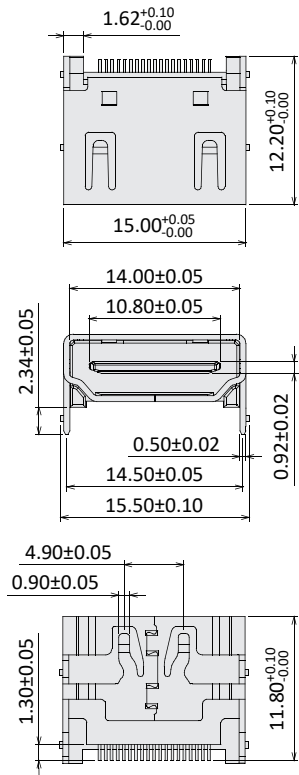


# HDMI Connector

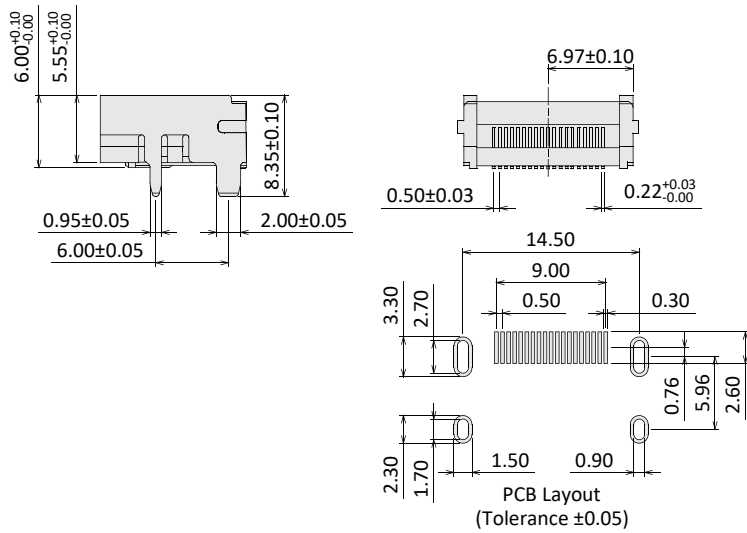
Current Rate: 0.5A  
 Voltage Rate: 40V AC  
 Dielectric Voltage: 500V AC for one minute  
 Insulation Resistance: 1000MΩ Min.  
 Contact Resistance: 30mΩ Max.  
 Material Contact: Copper Alloy, Gold Plated  
 Material Shell: Copper Alloy, Nickel Plated  
 Material Insulator: LCP, UL94V-0  
 Operating Temperature: -25°C~+85°C



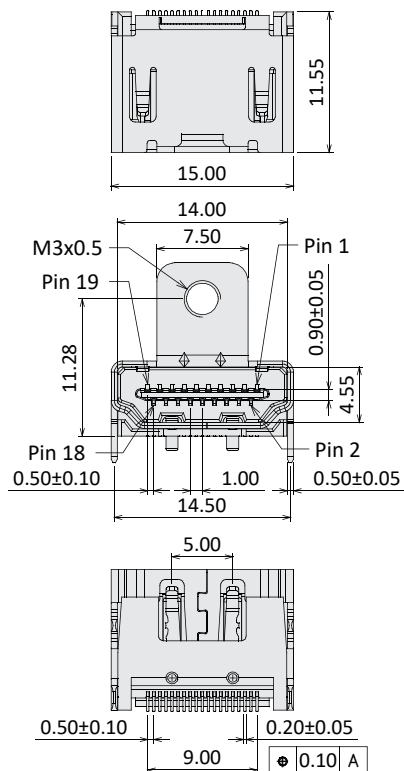
## HDMI Receptacle SMT Right Angle Type



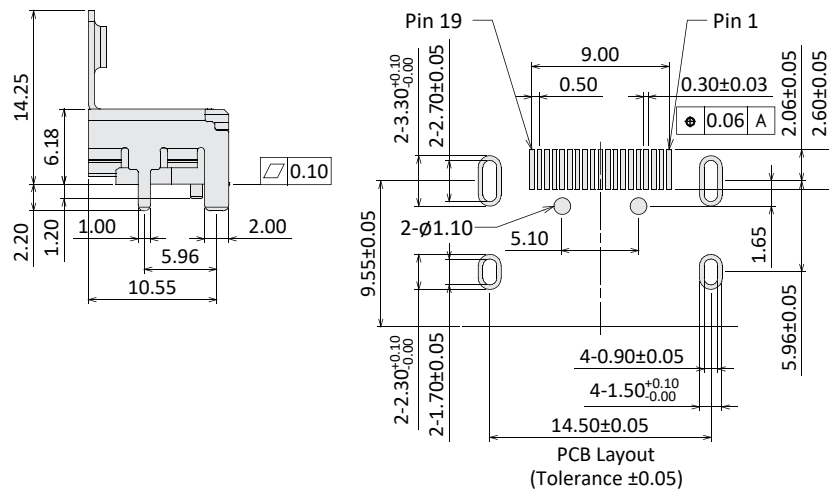
Part No.	Plating
HDMIS0-F19RM	Gold Flash / Tin 100u"
HDMIS1-F19RM	Gold 3u" / Tin 100u"
HDMIS4-F19RM	Gold 15u" / Tin 100u"
HDMIS5-F19RM	Gold 30u" / Tin 100u"



## HDMI Receptacle SMT Right Angle Type With Flange

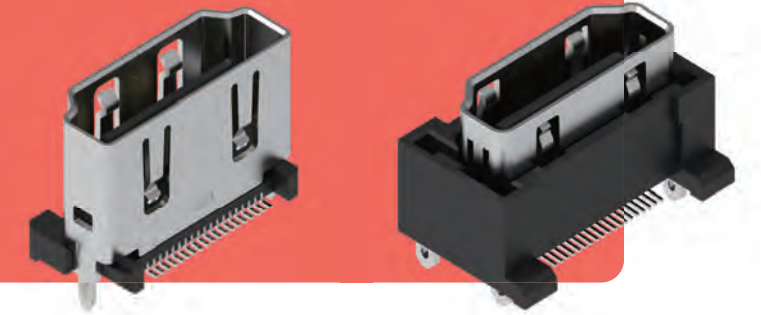


Part No.	Plating
HDMIS0-F19RMF	Gold Flash / Tin 100u"
HDMIS1-F19RMF	Gold 3u" / Tin 100u"
HDMIS4-F19RMF	Gold 15u" / Tin 100u"
HDMIS5-F19RMF	Gold 30u" / Tin 100u"

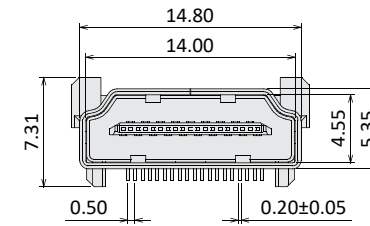


# HDMI Connector

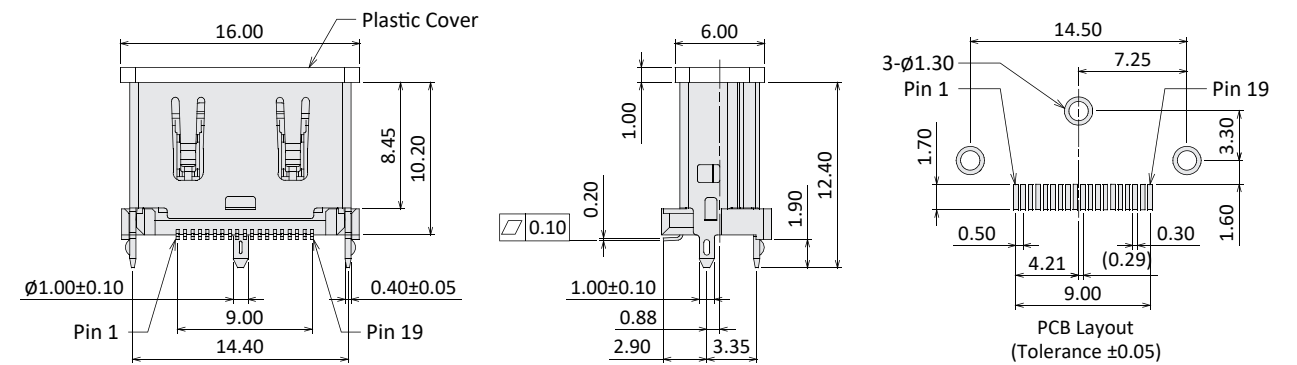
Current Rate: 0.5A  
 Voltage Rate: 40V AC  
 Dielectric Voltage: 500V AC for one minute  
 Insulation Resistance: 1000MΩ Min.  
 Contact Resistance: 30mΩ Max.  
 Material Contact: Copper Alloy, Gold Plated  
 Material Shell: Copper Alloy, Nickel Plated  
 Material Insulator: LCP, UL94V-0  
 Operating Temperature: -25°C~+85°C



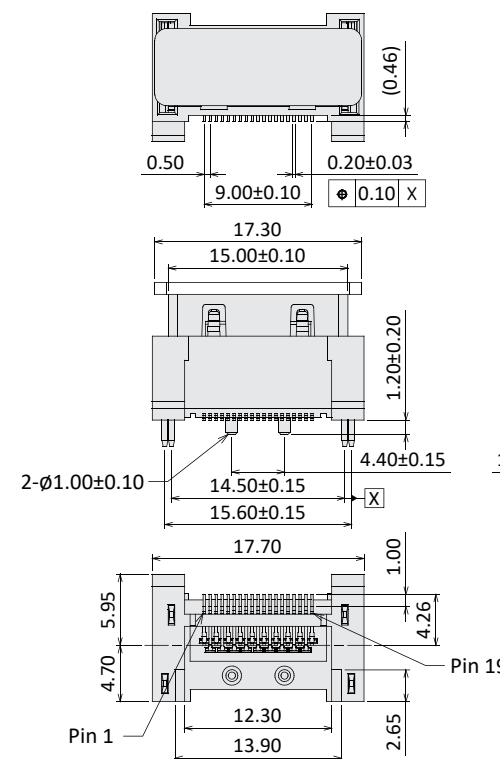
## HDMI Receptacle Vertical SMT Type



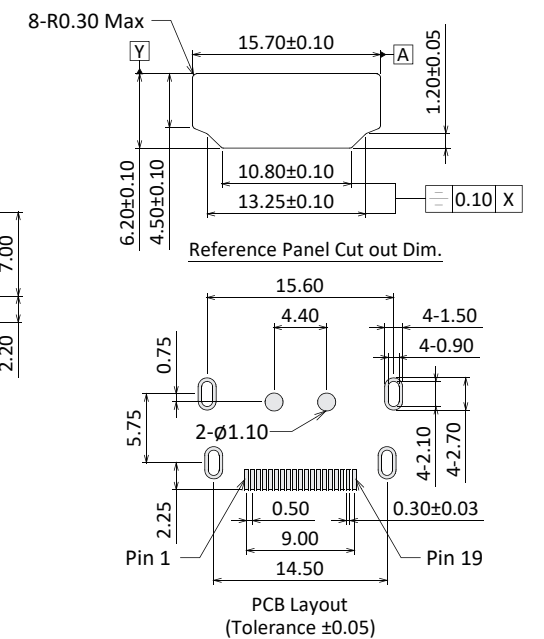
Part No.	Plating
HDMIS0-F19VM	Gold Flash / Tin 100u"
HDMIS1-F19VM	Gold 3u" / Tin 100u"
HDMIS4-F19VM	Gold 15u" / Tin 100u"



## HDMI Receptacle Vertical SMT Type



Part No.	Plating
HDMIS0-F19VMA	Gold Flash / Tin 100u"
HDMIS4-F19VMA	Gold 15u" / Tin 100u"



I/O Connector

I/O Connector

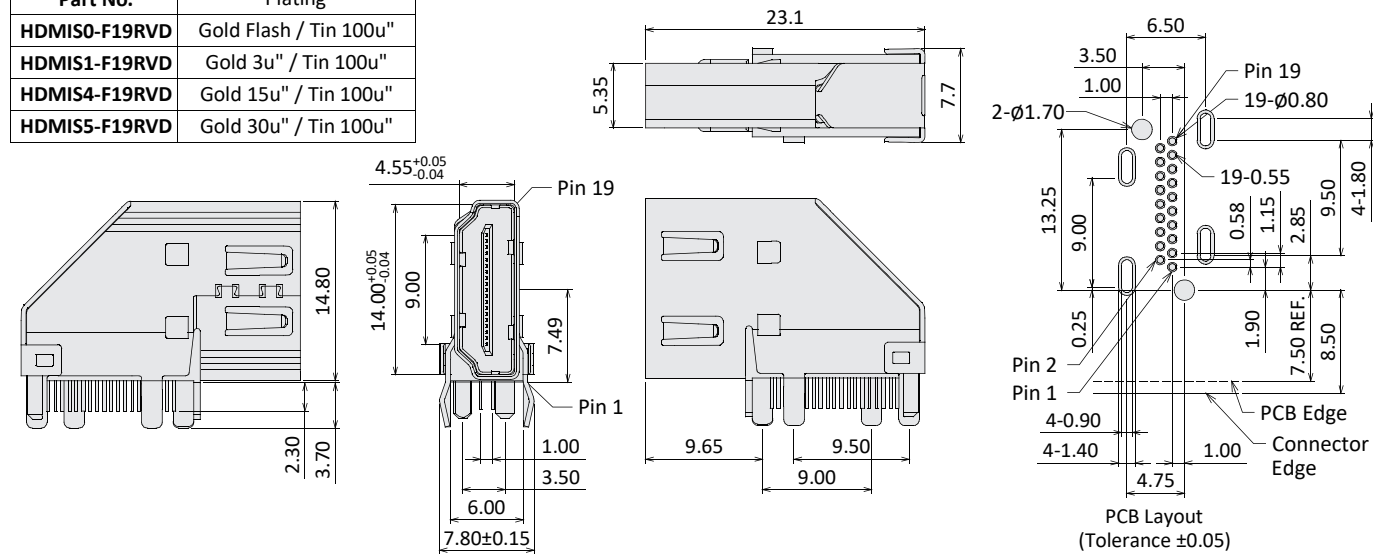
# HDMI Connector

Current Rate: 0.5A  
 Voltage Rate: 40V AC  
 Dielectric Voltage: 500V AC for one minute  
 Insulation Resistance: 1000MΩ Min.  
 Contact Resistance: 30mΩ Max.  
 Material Contact: Copper Alloy, Gold Plated  
 Material Shell: Copper Alloy, Nickel Plated  
 Material Insulator: LCP, UL94V-0  
 Operating Temperature: -25°C~+85°C



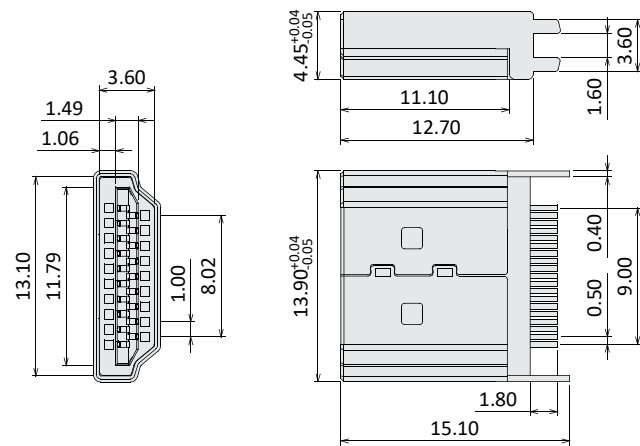
## HDMI Receptacle Vertical DIP Type

Part No.	Plating
HDMIS0-F19RVD	Gold Flash / Tin 100u"
HDMIS1-F19RVD	Gold 3u" / Tin 100u"
HDMIS4-F19RVD	Gold 15u" / Tin 100u"
HDMIS5-F19RVD	Gold 30u" / Tin 100u"

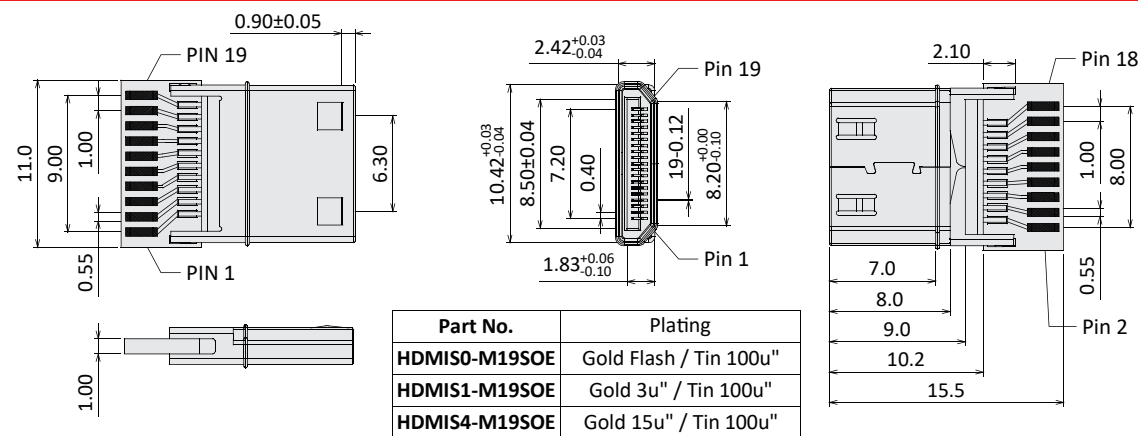


## HDMI Plug Straddle Type

Part No.	Plating
HDMIS0-M19SD	Gold Flash / Tin 100u"
HDMIS1-M19SD	Gold 3u" / Tin 100u"
HDMIS4-M19SD	Gold 15u" / Tin 100u"

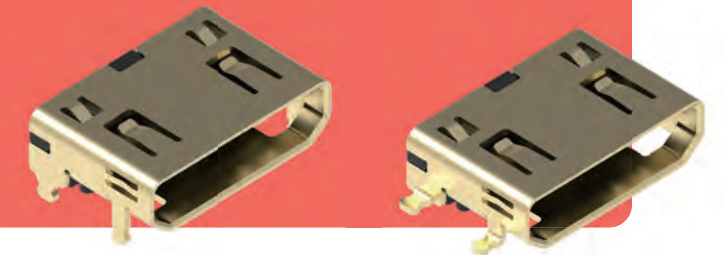


## HDMI Plug Solder Type With PCB

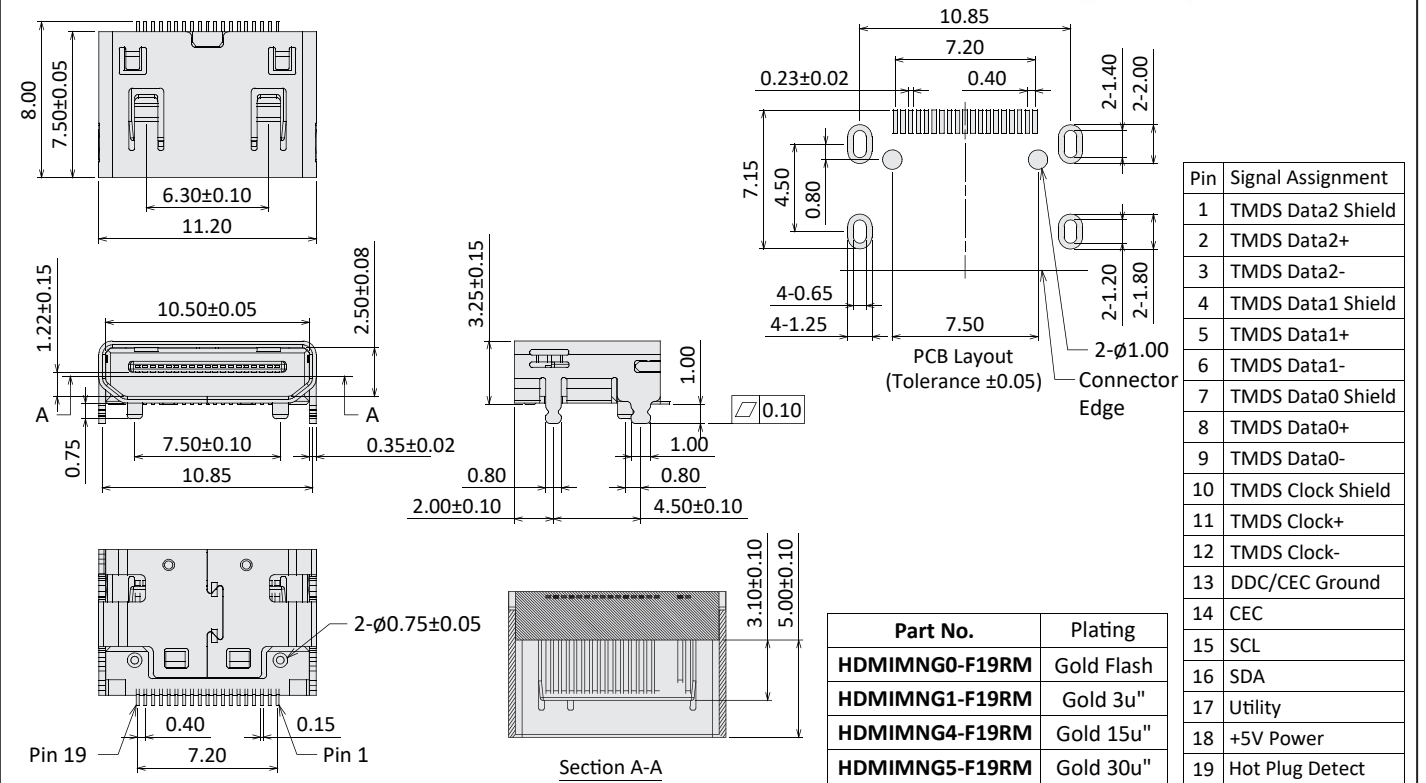


# Mini HDMI Connector

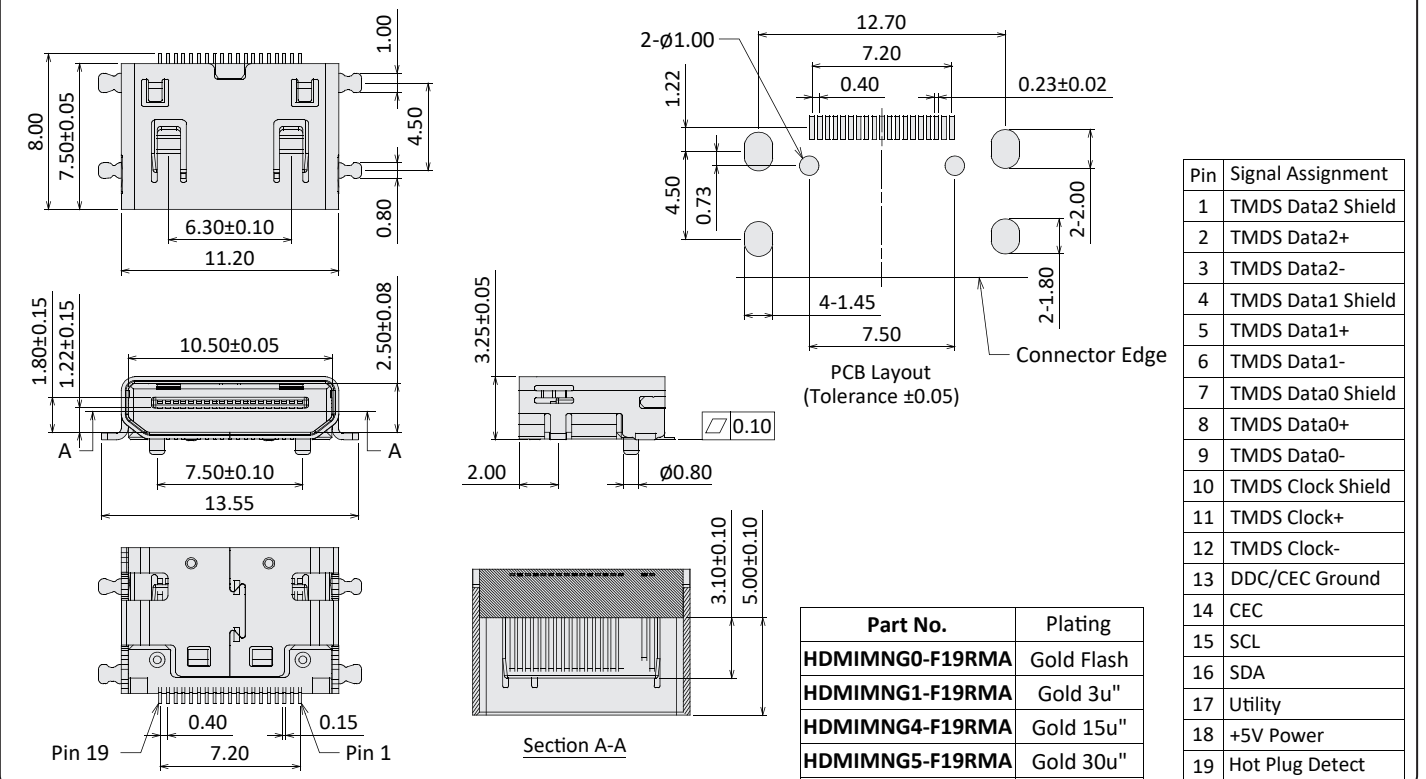
Current Rate: 0.5A  
 Voltage Rate: 40V AC  
 Dielectric Voltage: 500V AC for one minute  
 Insulation Resistance: 100MΩ Min.  
 Contact Resistance: 30mΩ Max.  
 Material Contact: Copper Alloy, Gold Plated  
 Material Shell: Copper Alloy, Gold Plated  
 Material Insulator: LCP, UL94V-0  
 Operating Temperature: -25°C~+85°C



## Mini HDMI Receptacle SMT Type



## Mini HDMI Receptacle SMT Type

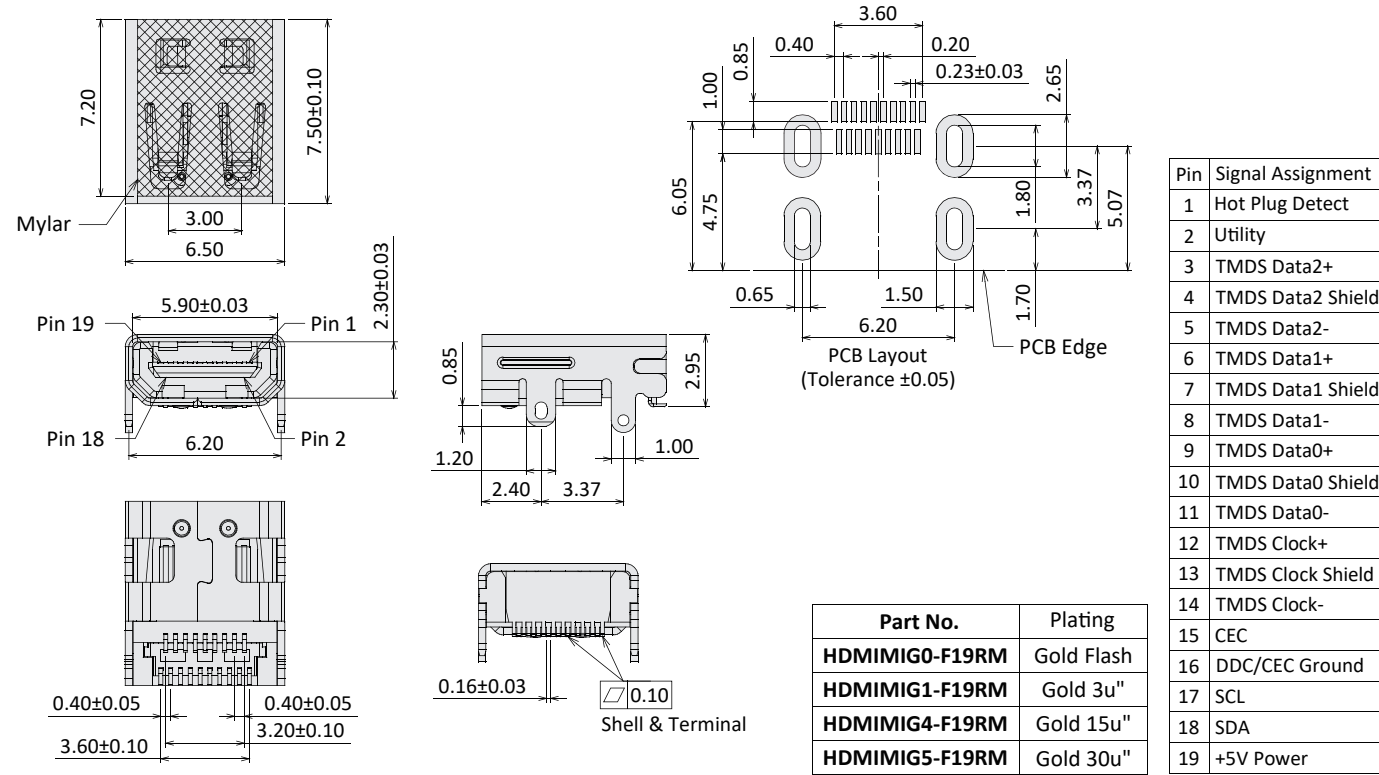


# Micro HDMI Connector

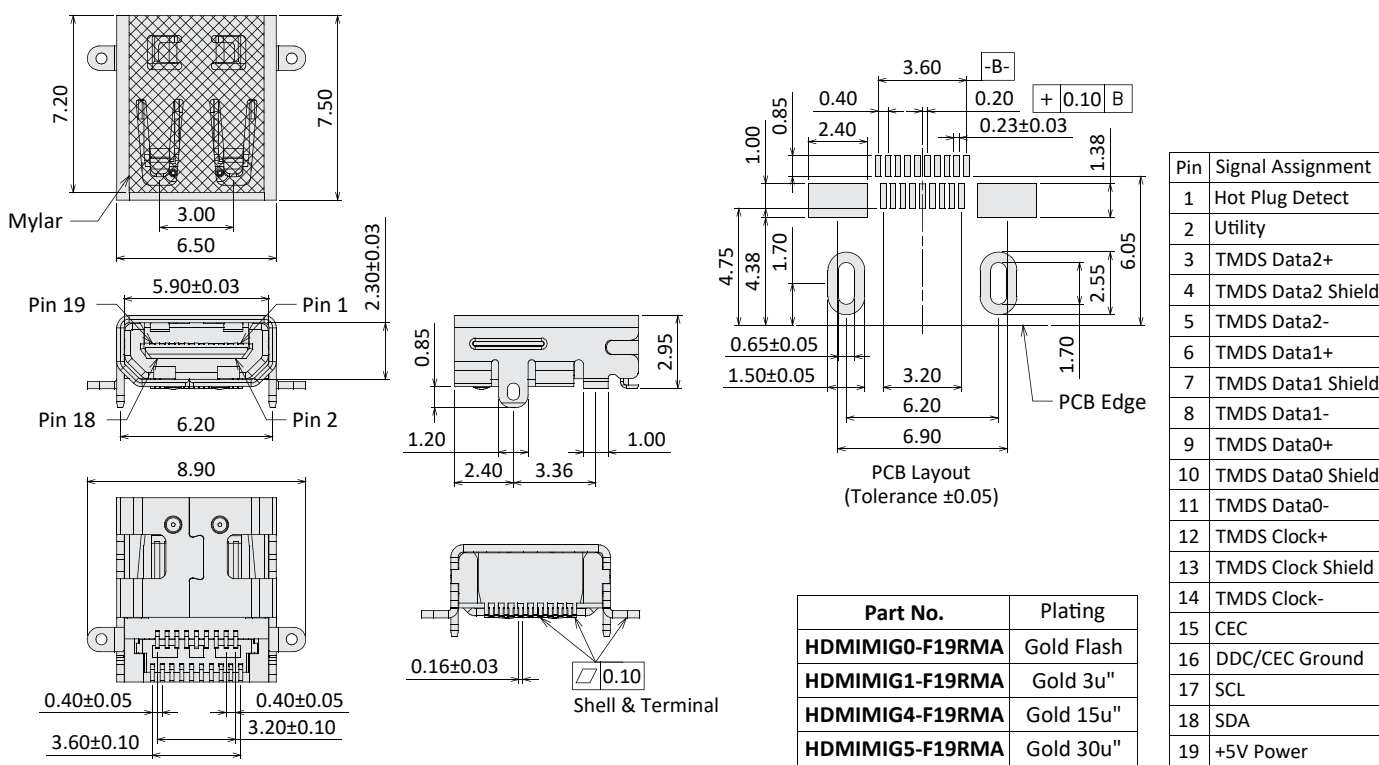
Current Rate: 0.5A  
 Voltage Rate: 40V AC  
 Dielectric Voltage: 250V AC for one minute  
 Insulation Resistance: 100MΩ Min. at 500V DC  
 Contact Resistance: 10mΩ Max.  
 Material Contact: Copper Alloy, Gold Plated  
 Material Shell: SPCC, Nickel Plated  
 Material Insulator: LCP, UL94V-0  
 Operating Temperature: -25°C~+85°C



## Micro HDMI Receptacle SMT Type



## Micro HDMI Receptacle SMT Type



I/O Connector