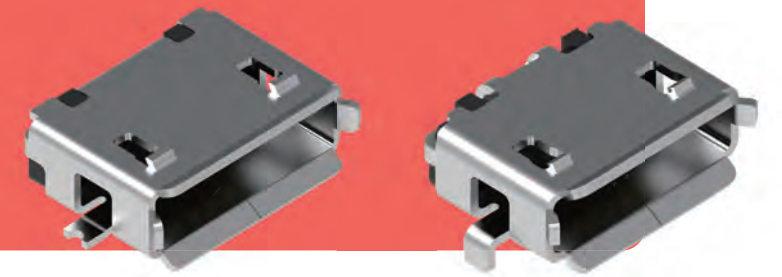
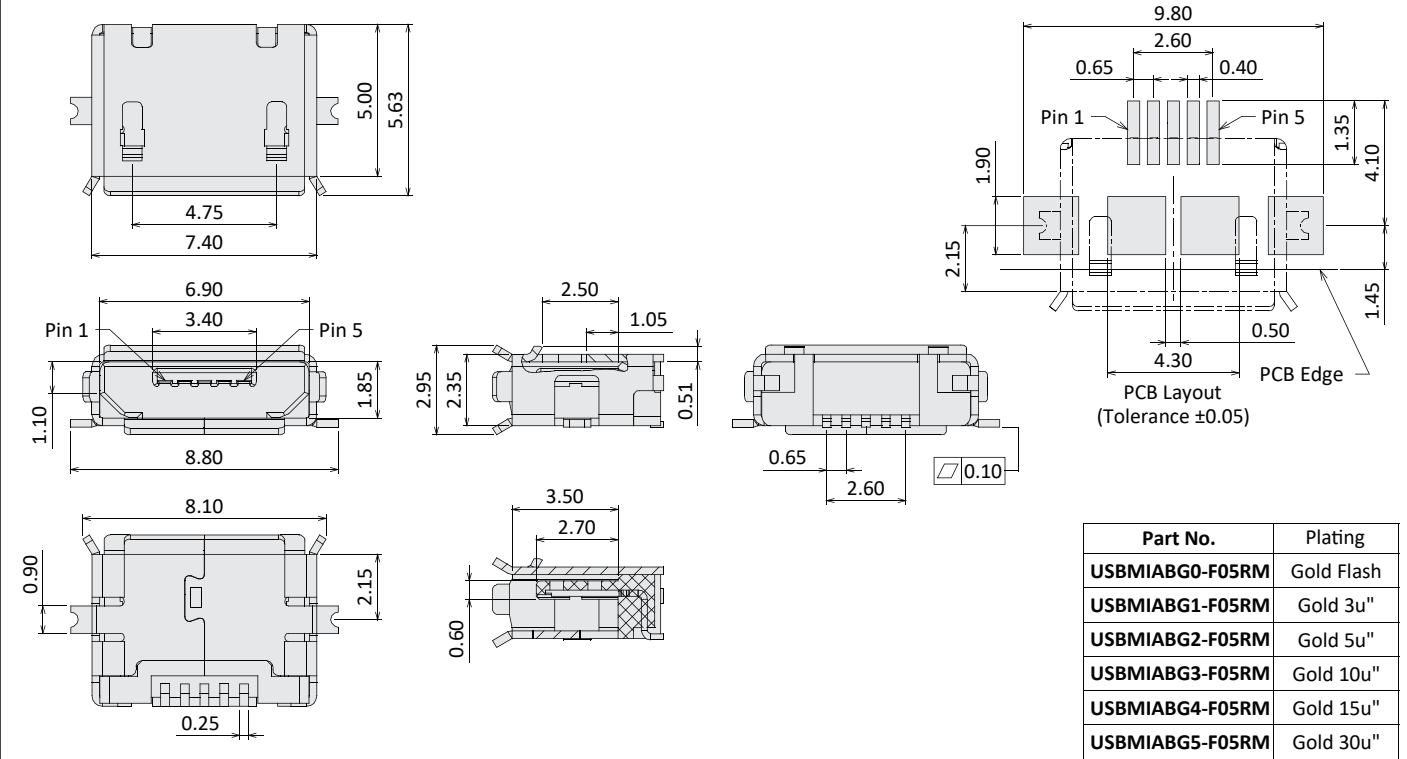


Micro USB Connector

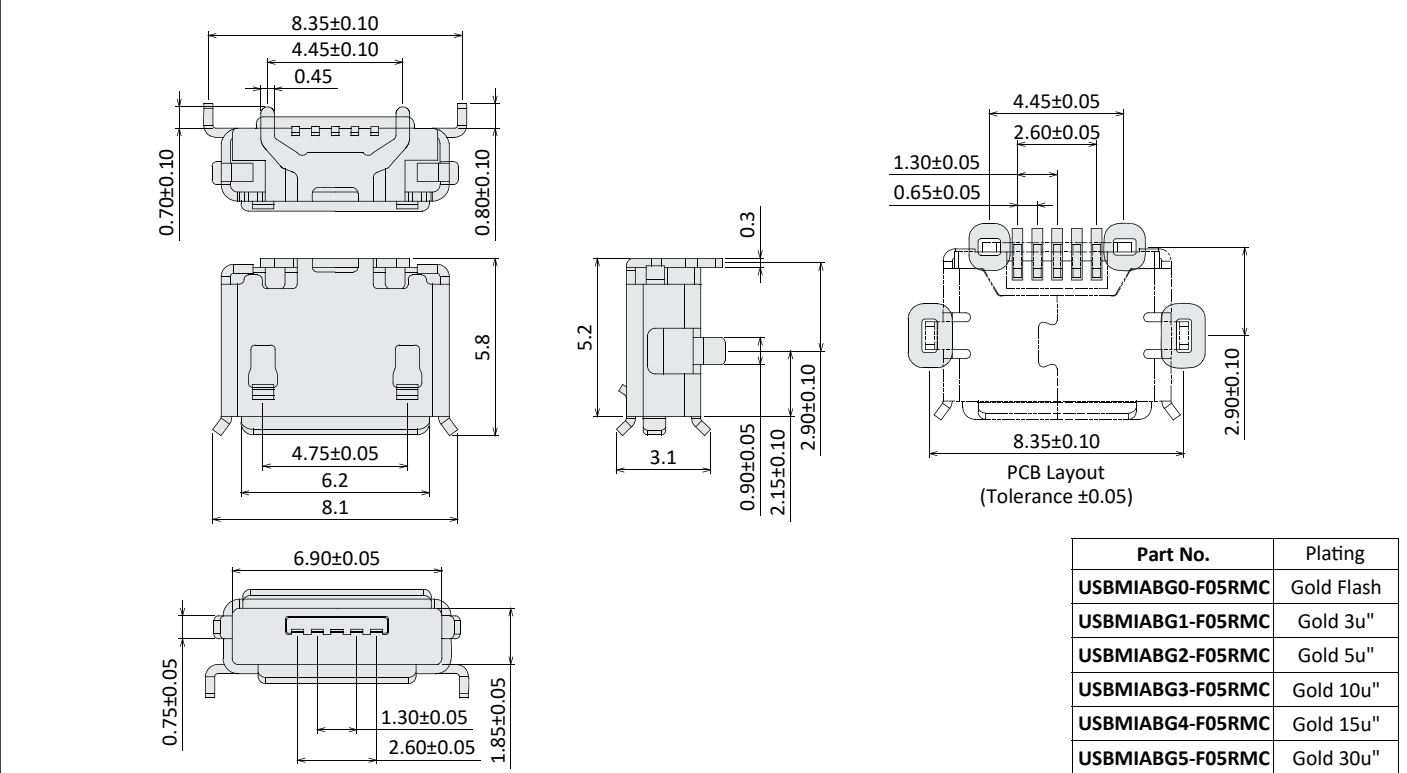
Current Rate: 1A AC/DC
 Voltage Rate: 30V AC/DC
 Dielectric Voltage: 100V AC for one minute
 Insulation Resistance: 100MΩ Min.
 Contact Resistance: 30mΩ Max.
 Material Contact: Copper Alloy, Gold Plated
 Material Shell: Brass or Steel, Nickel Plated
 Material Insulator: LCP, UL94V-0
 Operating Temperature: -25°C~+85°C



Micro USB AB Type Receptacle 5 Pin SMT

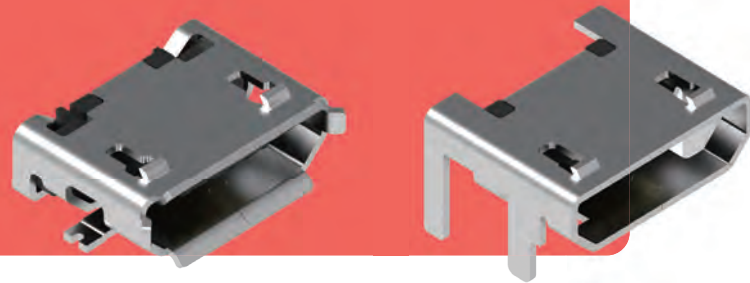


Micro USB AB Type Receptacle 5 Pin SMT

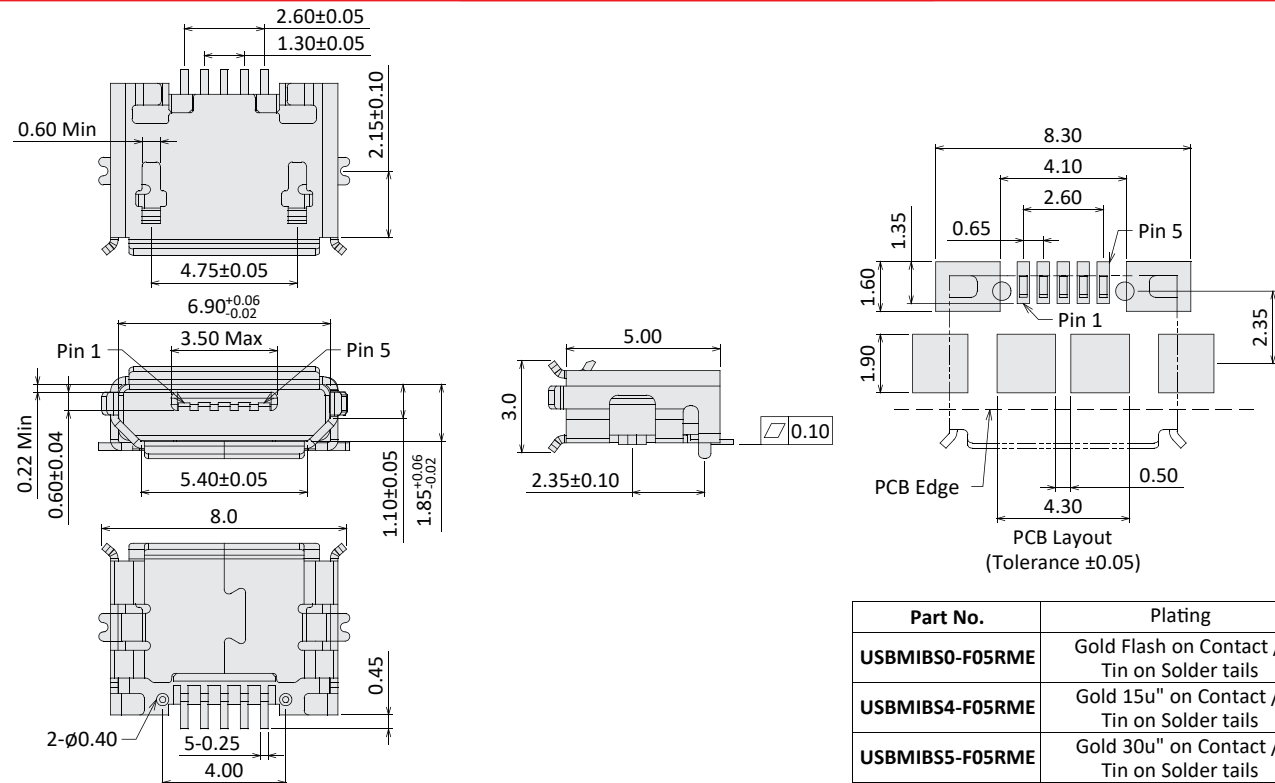


Micro USB Connector

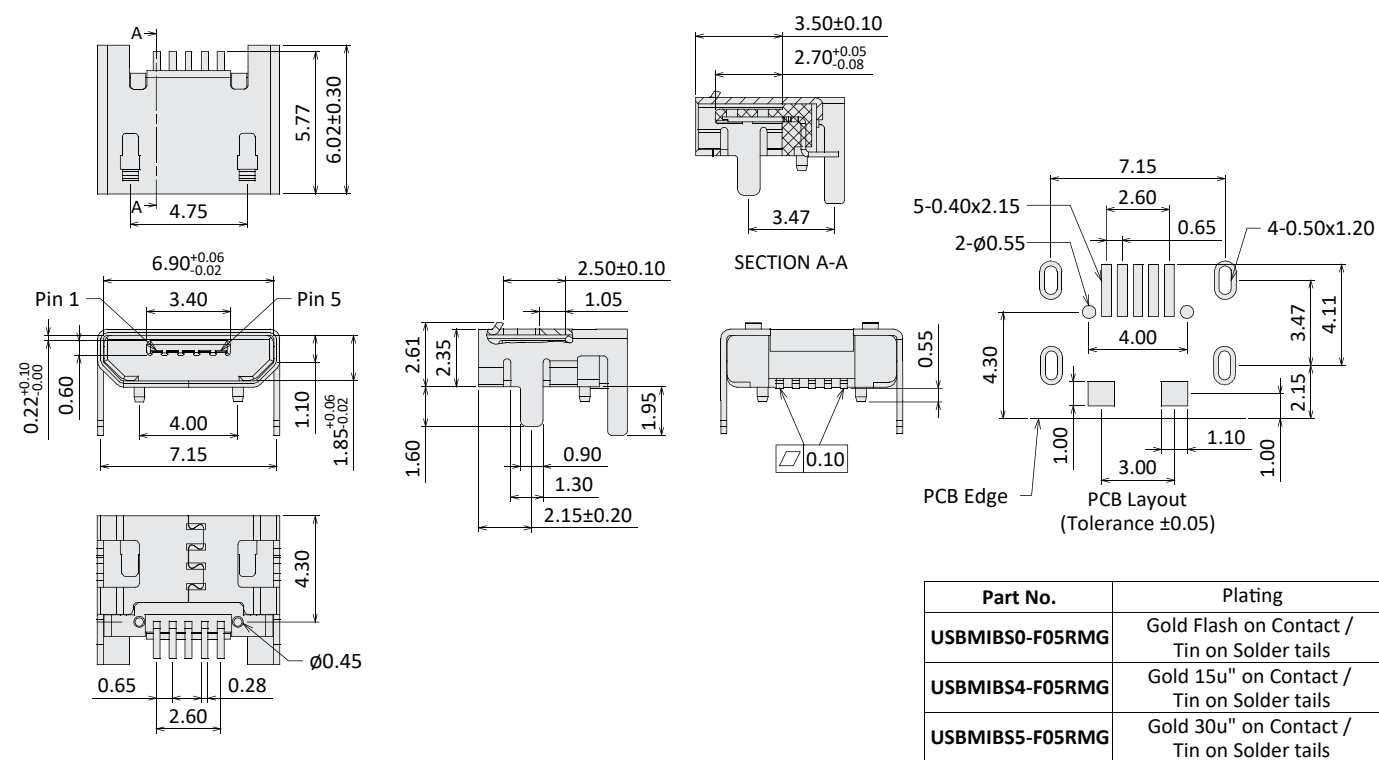
Current Rate: 1A AC/DC
 Voltage Rate: 30V AC/DC
 Dielectric Voltage: 100V AC for one minute
 Insulation Resistance: 100MΩ Min.
 Contact Resistance: 30mΩ Max.
 Material Contact: Copper Alloy, Gold / Tin
 Material Shell: SUS or Brass, Nickel Plated
 Material Insulator: LCP, UL94V-0
 Operating Temperature: -25°C~+85°C



Micro USB B Type Receptacle 5 Pin SMT

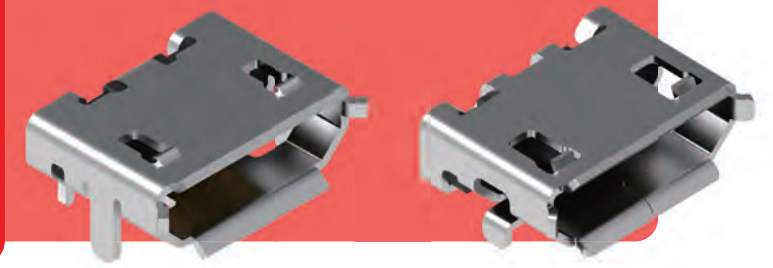


Micro USB B Type Receptacle 5 Pin SMT

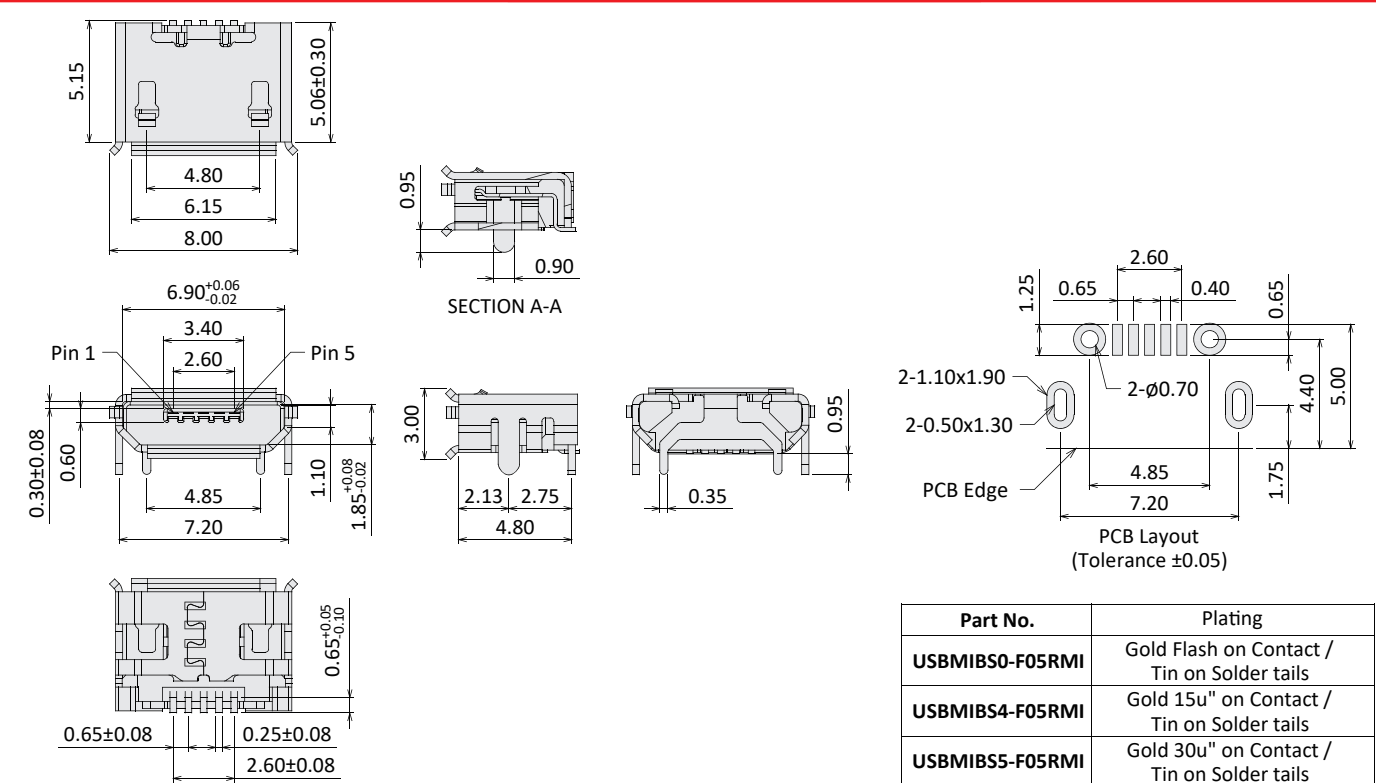


Micro USB Connector

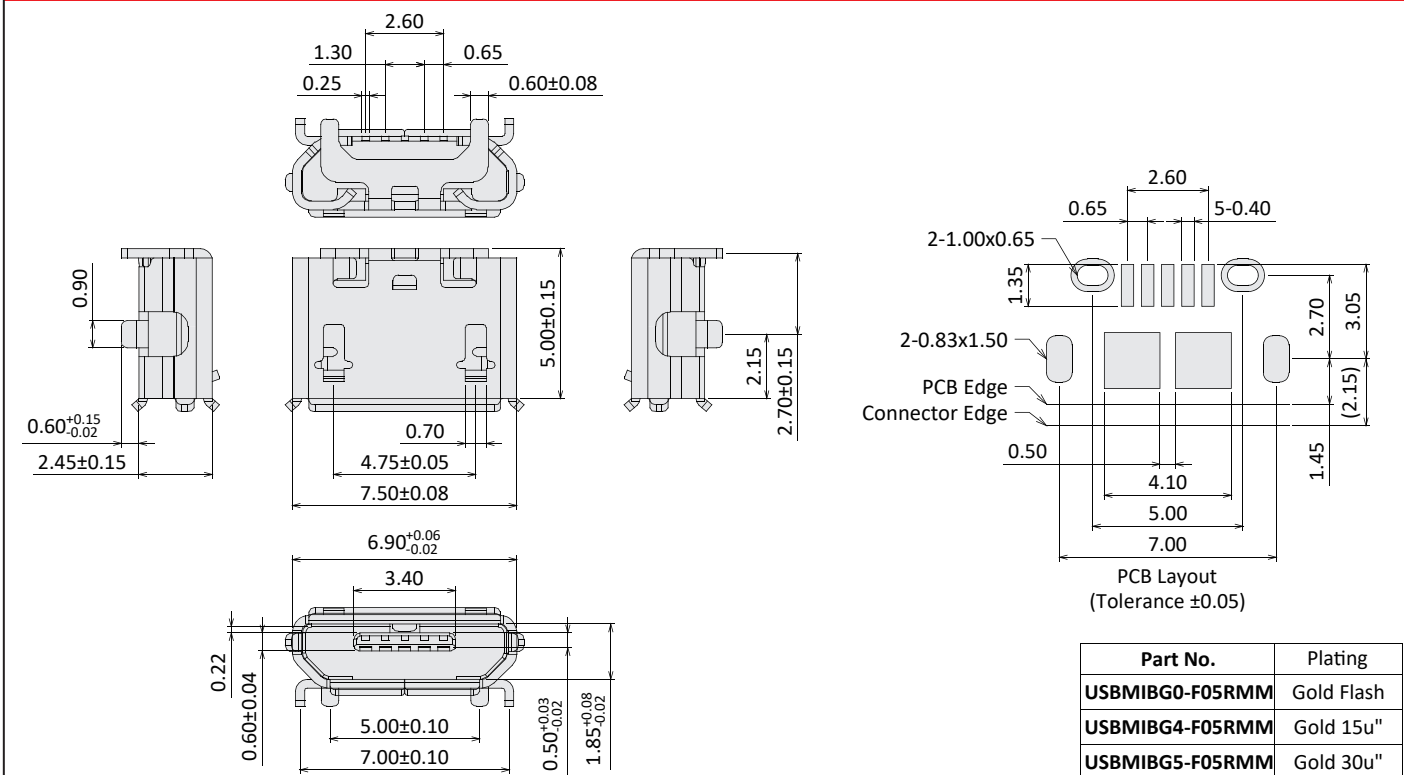
Current Rate: 1A AC/DC
 Voltage Rate: 30V AC/DC
 Dielectric Voltage: 100V AC for one minute
 Insulation Resistance: 100MΩ Min.
 Contact Resistance: 30mΩ Max.
 Material Contact: Copper Alloy, Gold / Tin
 Material Shell: Brass or SUS, Nickel Plated
 Material Insulator: LCP, UL94V-0
 Operating Temperature: -25°C~+85°C



Micro USB B Type Receptacle 5 Pin SMT

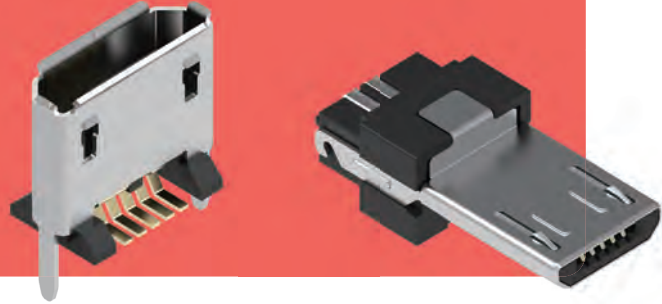


Micro USB B Type Receptacle 5 Pin SMT

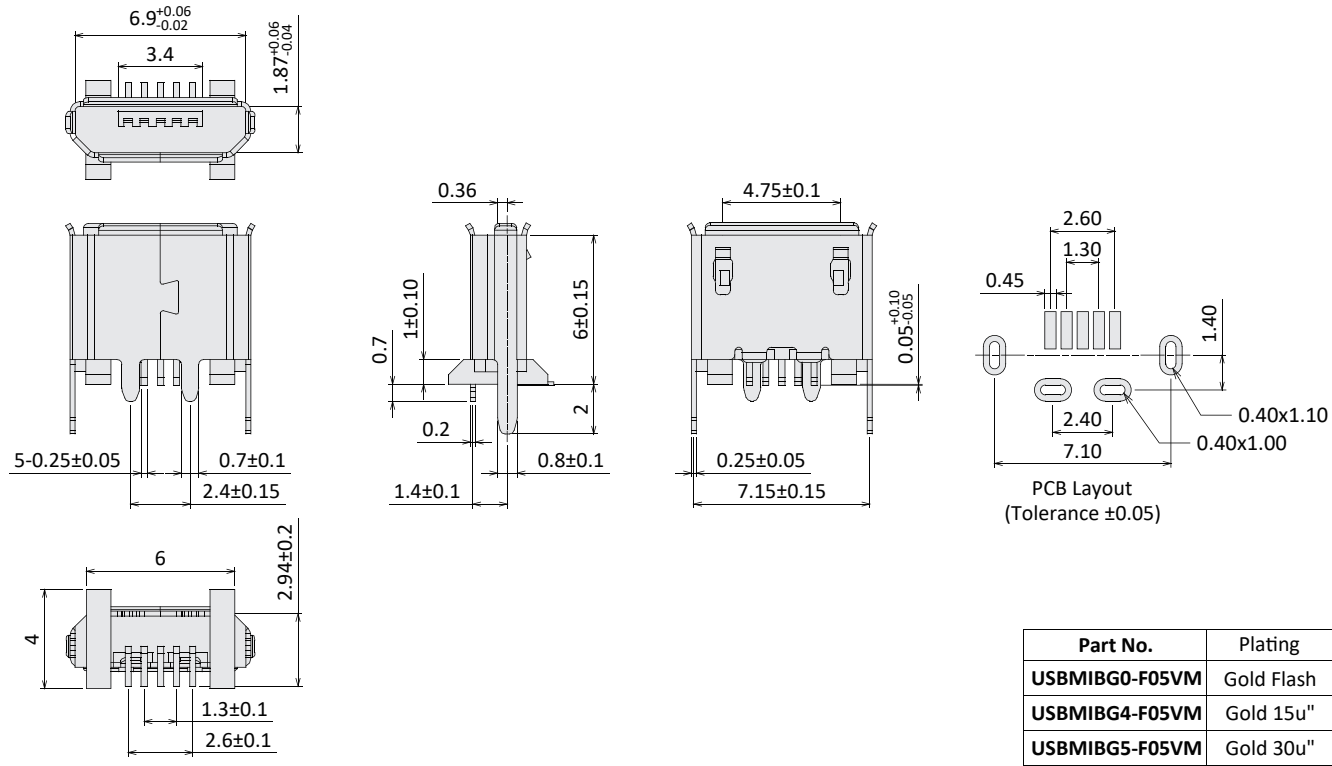


Micro USB Connector

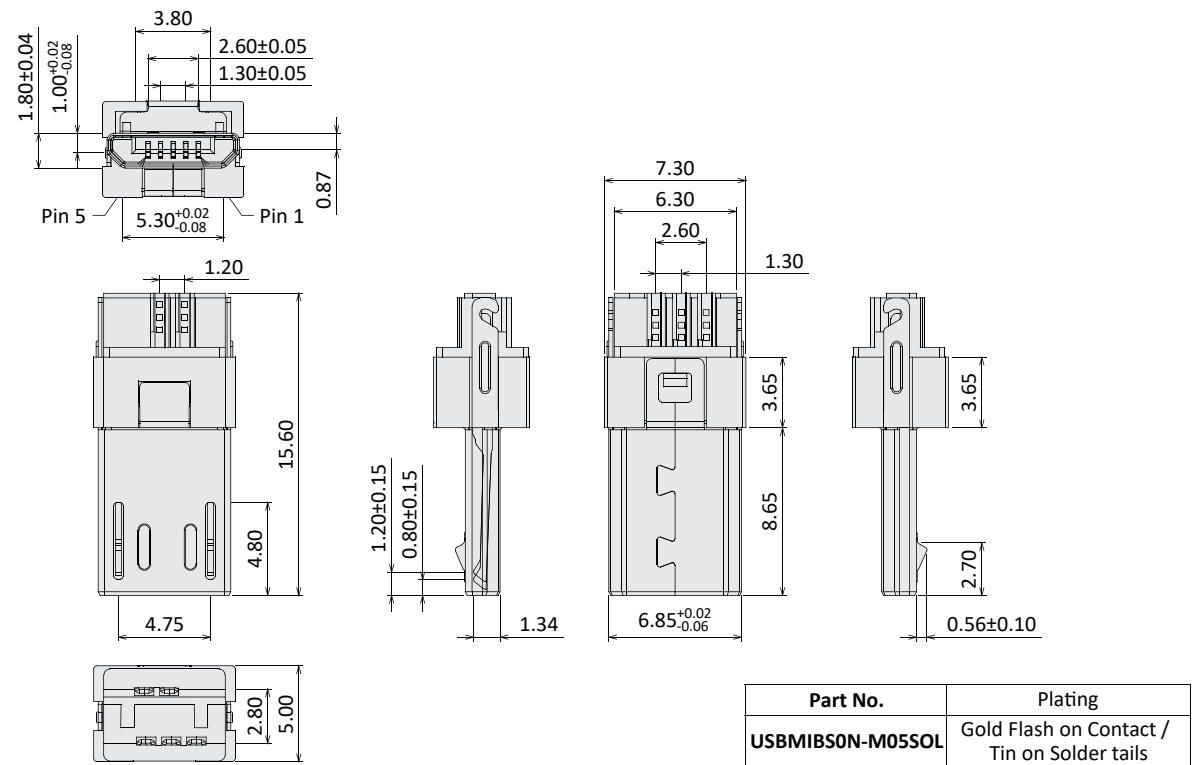
Current Rate: 1A AC/DC
 Voltage Rate: 30V AC/DC
 Dielectric Voltage: 100V AC for one minute
 Insulation Resistance: 100MΩ Min.
 Contact Resistance: 30mΩ Max.
 Material Contact: Copper Alloy, Gold / Tin
 Material Shell: Brass or SPCC, Nickel Plated
 Material Insulator: LCP, UL94V-0
 Operating Temperature: -25°C~+85°C



Micro USB B Type Receptacle 5 Pin SMT Vertical



Micro USB B Type 5 Pin Plug Solder

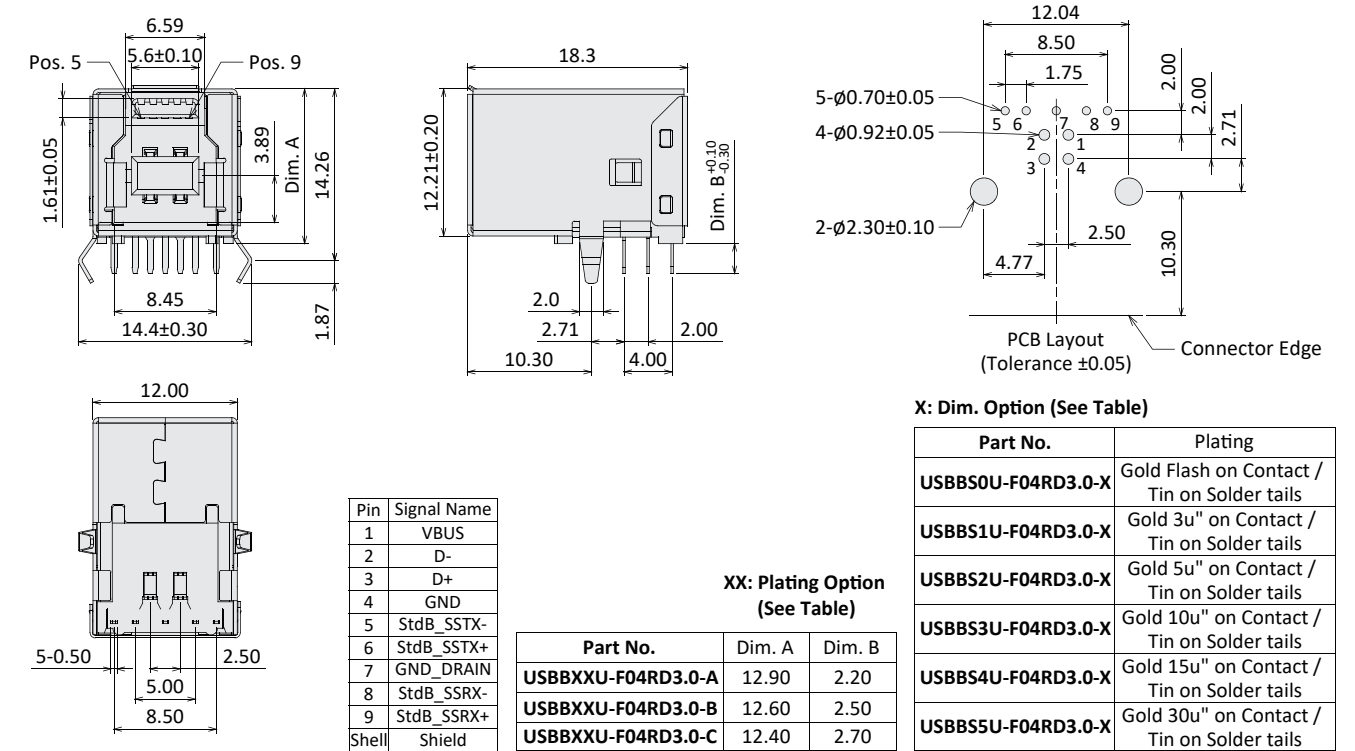


USB / Micro USB Connector

Current Rate: 1.5A
 Dielectric Voltage: 100V AC for one minute
 Insulation Resistance: 100MΩ Min.
 Contact Resistance: 30mΩ Max.
 Material Contact: Copper Alloy, Gold / Tin
 Material Shell: Brass or SUS, Nickel Plated
 Material Insulator: LCP, UL94V-0
 Operating Temperature: -40°C~+85°C



USB 3.0 B Type Receptacle Right Angle DIP



Micro USB 3.0 B Type Receptacle Vertical SMT

