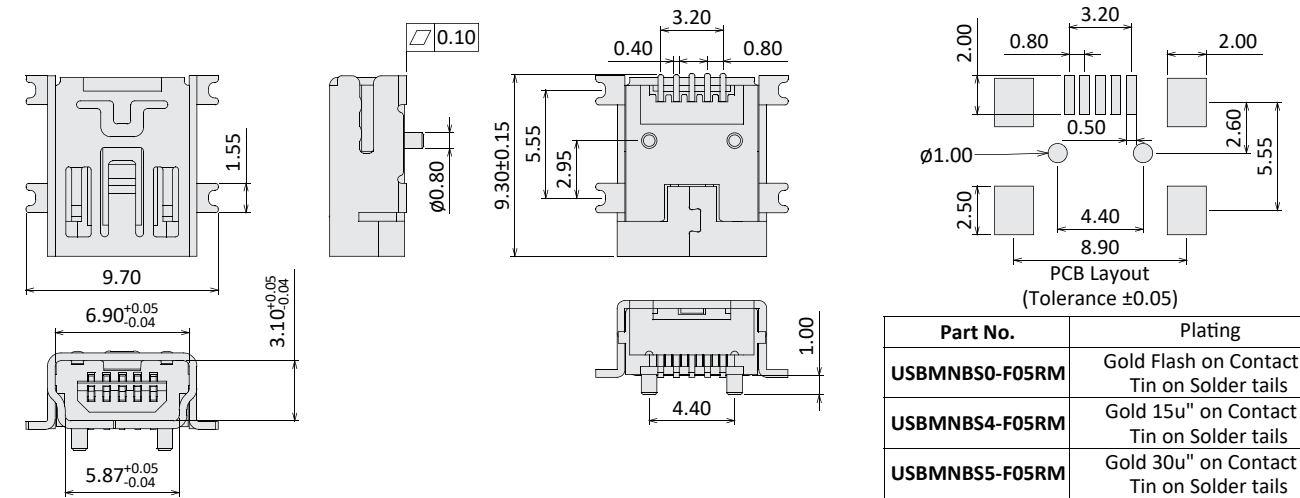


Mini USB Connector

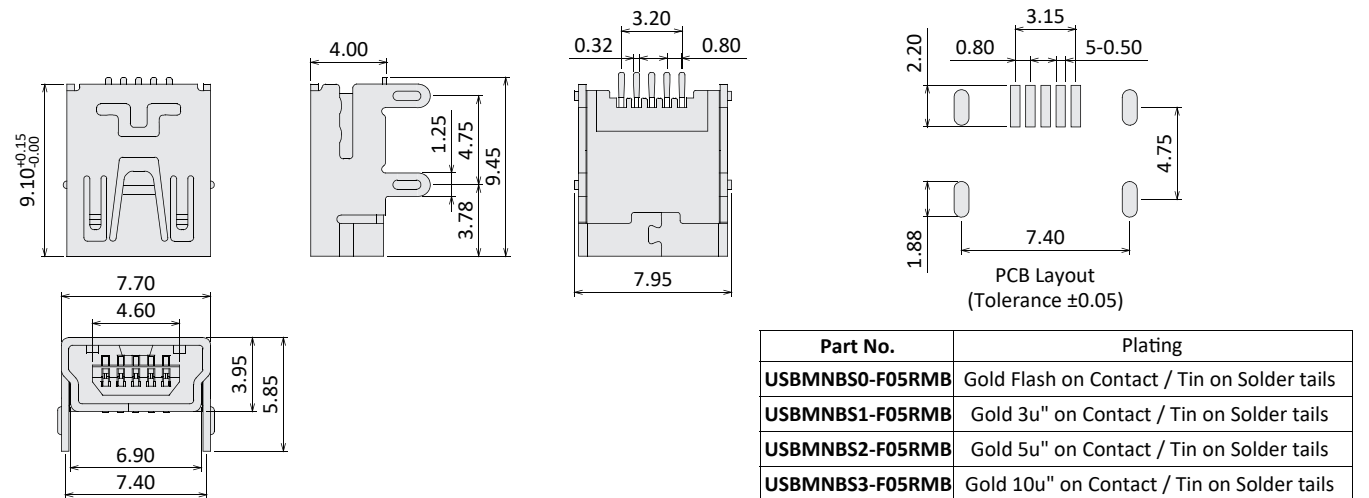
Current Rate: 1A AC/DC
 Voltage Rate: 30V AC/DC
 Dielectric Voltage: 100V AC for one minute
 Insulation Resistance: 100MΩ Min.
 Contact Resistance: 30mΩ Max.
 Material Contact: Copper Alloy, Gold / Tin
 Material Shell: Brass, Nickel Plated
 Material Insulator: LCP, UL94V-0
 Operating Temperature: -25°C~+85°C



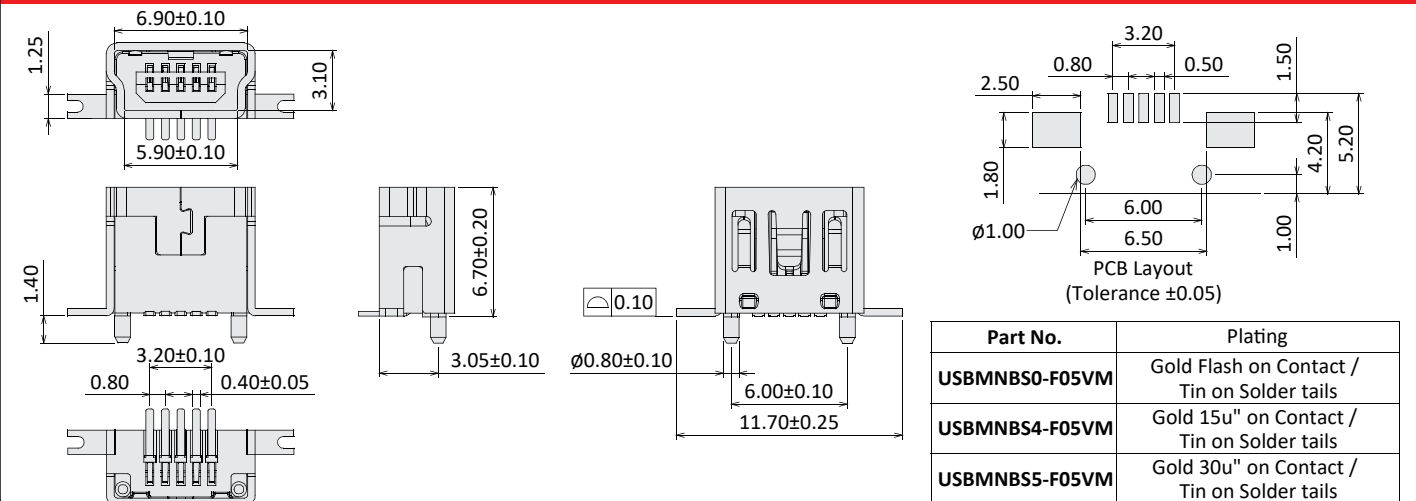
Mini USB B Type Receptacle 5 Pin SMT



Mini USB B Type Receptacle 5 Pin SMT

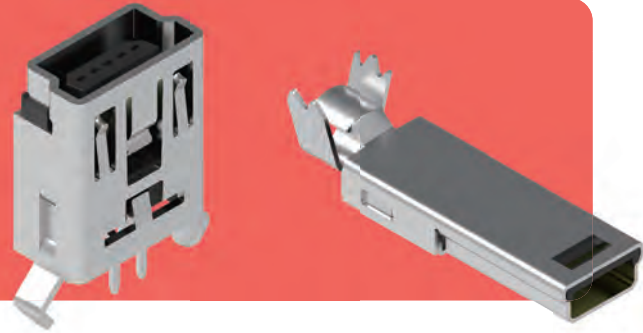


Mini USB B Type Receptacle 5 Pin SMT Vertical

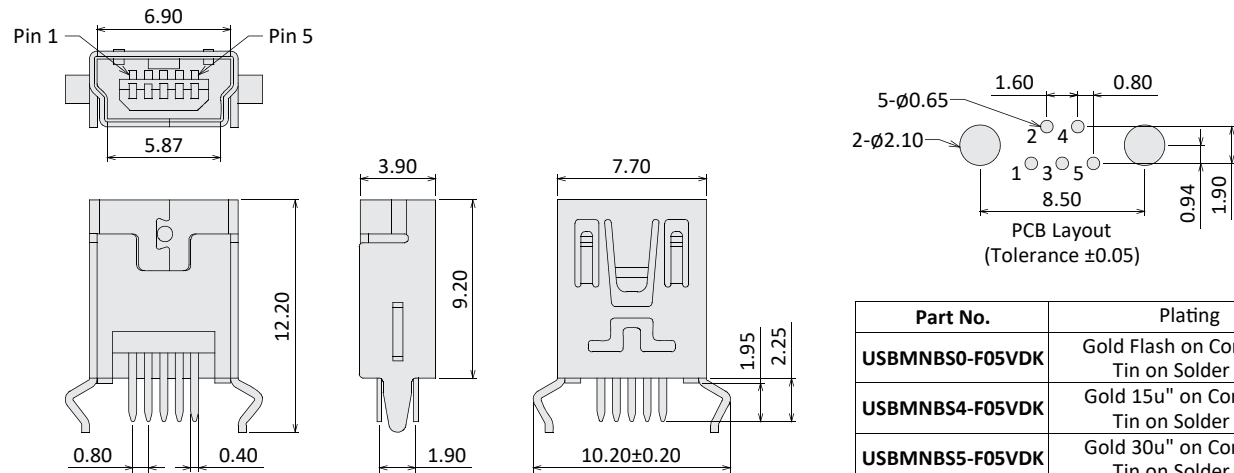


Mini USB Connector

Current Rate: 1A AC/DC
 Voltage Rate: 30V AC/DC
 Dielectric Voltage: 100V AC for one minute
 Insulation Resistance: 100MΩ Min.
 Contact Resistance: 30mΩ Max.
 Material Contact: Copper Alloy, Gold / Tin
 Material Shell: Brass, Nickel Plated
 Material Insulator: LCP or PBT, UL94V-0
 Operating Temperature: -25°C~+85°C

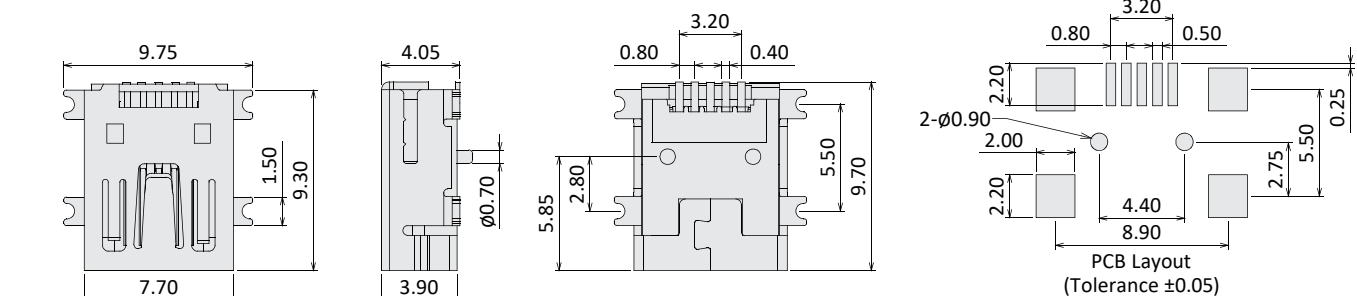


Mini USB B Type Receptacle 5 Pin DIP



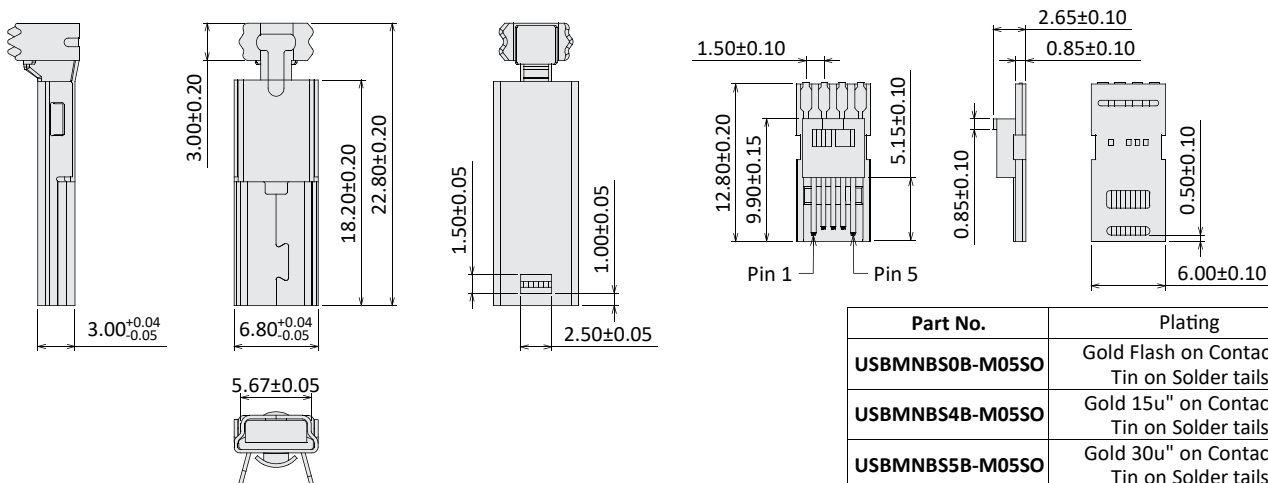
Part No.	Plating
USBMNBS0-F05VDK	Gold Flash on Contact / Tin on Solder tails
USBMNBS4-F05VDK	Gold 15u" on Contact / Tin on Solder tails
USBMNBS5-F05VDK	Gold 30u" on Contact / Tin on Solder tails

Mini USB AB Type Receptacle 5 Pin SMT



Part No.	Plating
USBMNABS0-F05RM	Gold Flash on Contact / Tin on Solder tails
USBMNABS4-F05RM	Gold 15u" on Contact / Tin on Solder tails
USBMNABS5-F05RM	Gold 30u" on Contact / Tin on Solder tails

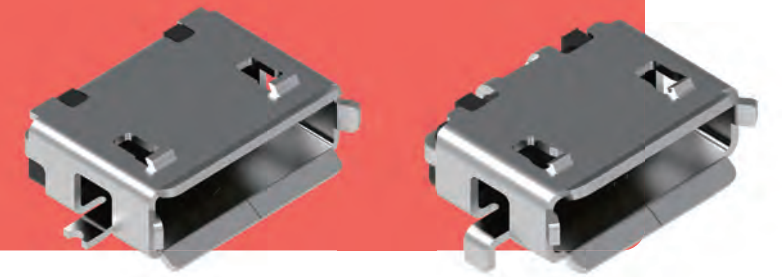
Mini USB B Type 5 Pin Plug Solder



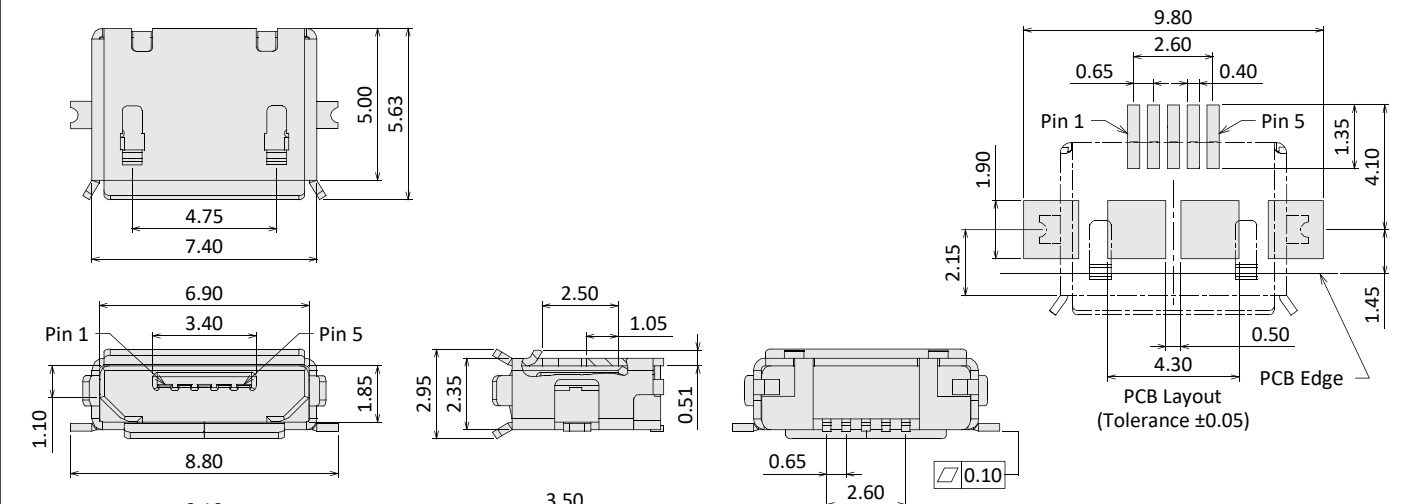
Part No.	Plating
USBMNBS0B-M05SO	Gold Flash on Contact / Tin on Solder tails
USBMNBS4B-M05SO	Gold 15u" on Contact / Tin on Solder tails
USBMNBS5B-M05SO	Gold 30u" on Contact / Tin on Solder tails

Micro USB Connector

Current Rate: 1A AC/DC
 Voltage Rate: 30V AC/DC
 Dielectric Voltage: 100V AC for one minute
 Insulation Resistance: 100MΩ Min.
 Contact Resistance: 30mΩ Max.
 Material Contact: Copper Alloy, Gold Plated
 Material Shell: Brass or Steel, Nickel Plated
 Material Insulator: LCP, UL94V-0
 Operating Temperature: -25°C~+85°C

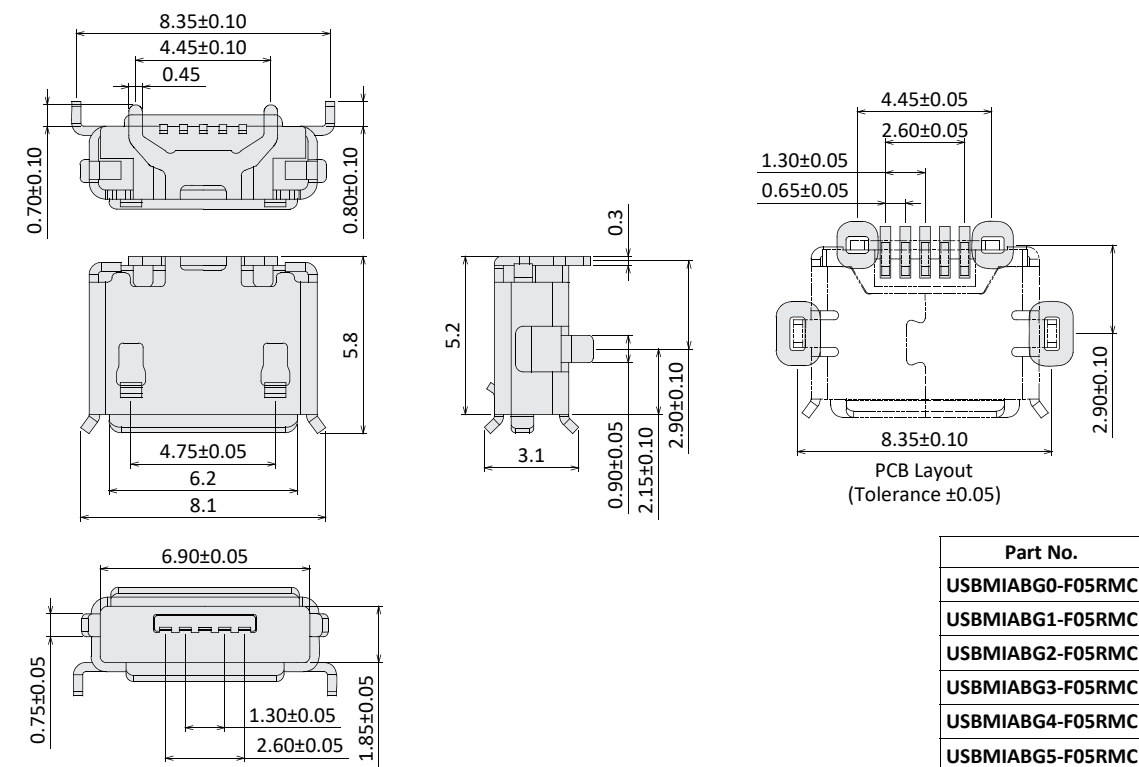


Micro USB AB Type Receptacle 5 Pin SMT



Part No.	Plating
USBMIABG0-F05RM	Gold Flash
USBMIABG1-F05RM	Gold 3u"
USBMIABG2-F05RM	Gold 5u"
USBMIABG3-F05RM	Gold 10u"
USBMIABG4-F05RM	Gold 15u"
USBMIABG5-F05RM	Gold 30u"

Micro USB AB Type Receptacle 5 Pin SMT



Part No.	Plating
USBMIABG0-F05RMC	Gold Flash
USBMIABG1-F05RMC	Gold 3u"
USBMIABG2-F05RMC	Gold 5u"
USBMIABG3-F05RMC	Gold 10u"
USBMIABG4-F05RMC	Gold 15u"
USBMIABG5-F05RMC	Gold 30u"